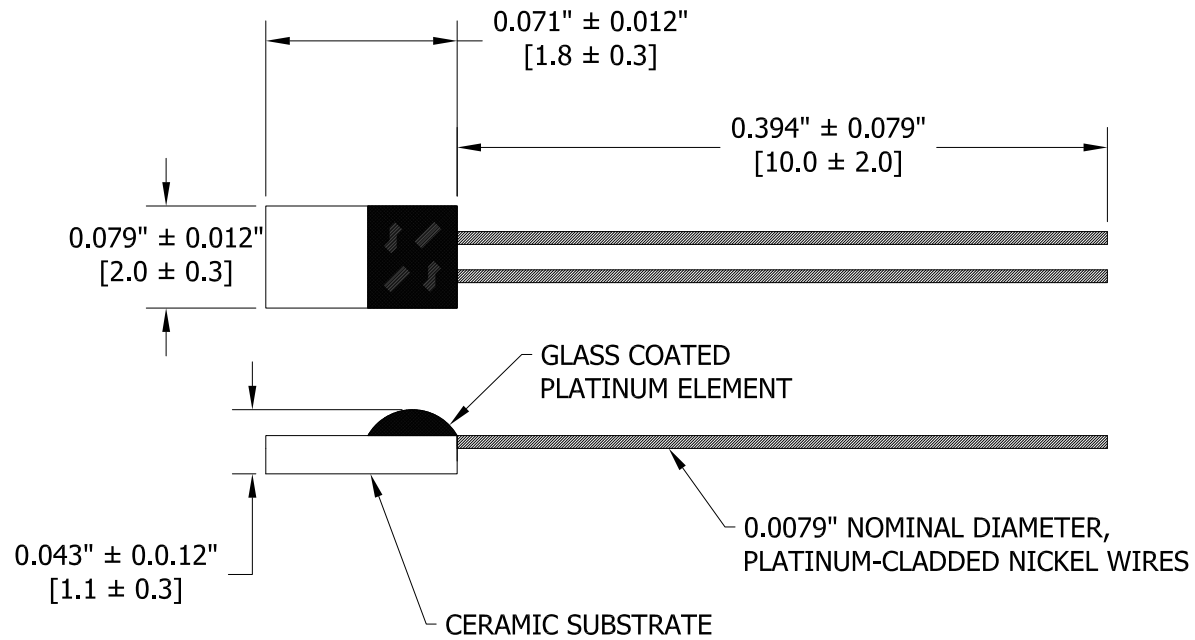


2

1

B

B



RTD ELEMENT RESISTANCE @ 0°C = 1,000 Ω ± 0.12%
 RTD ELEMENT ACCURACY @ 0°C = ± 0.30°C
 RTD ELEMENT ACCURACY CLASS = DIN EN 60751 F 0.3 (CLASS B)
 TCR = 3,850 ppm/°C
 TEMPERATURE RATING = -70 TO +500°C
 THERMAL TIME CONSTANT = 10 SECONDS MAXIMUM (2m/SEC MOVING AIR)

A


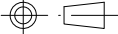
A

| REV | DESC | BY | DATE | DCR NO |
|-----|------------------------------|----|------------|--------|
| B | Mechanical Dimension Changed | MK | 01/06/2023 | C4768 |
| A | Initial Release | MW | 05/08/2019 | |
| REV | DESC | BY | DATE | DCR NO |

REVISION HISTORY

2

1

| | | | |
|--|--|---|------------|
| Project Code | |  | |
|  Third Angle Projection | | | |
| Units Inch [mm] | | Division IBU - Temperature Sensors | |
| General Tolerances 0.X = ± 0.X 0.XX = ± 0.XX 0.XXX = ± 0.XXX | | Title Platinum RTD Sensor | |
| Drawn By MK | | Drawing No PPG102JB | |
| Date 01/06/2023 | | Size A | Sheet 1 |

Do Not Scale

Sheet 1

TEMPLATE REVISION CONTROL DCR NO. C0688 REV. AE DATE 14-1-14