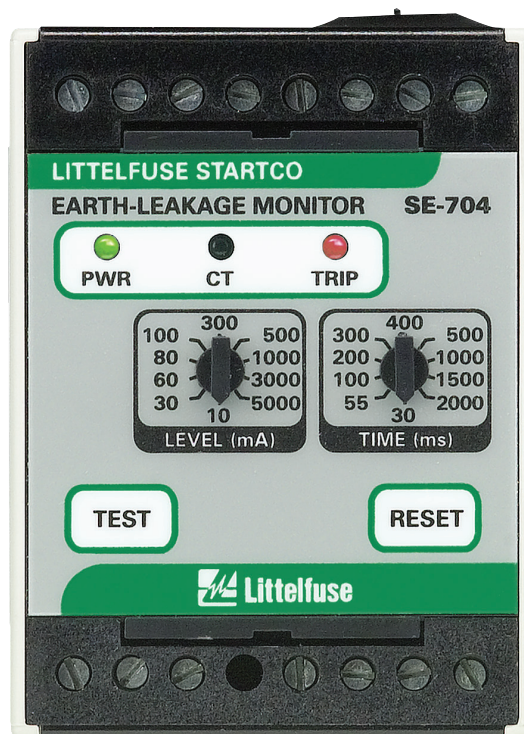


SE-704 MANUAL EARTH-LEAKAGE MONITOR

REVISION 7-D-070518



Copyright © 2018 by Littelfuse
All rights reserved.

This page intentionally left blank.

TABLE OF CONTENTS

1 GENERAL 1

2 OPERATION 1

 2.1 Configuration-Switch Settings 1

 2.1.1 Relay Operating Mode 1

 2.1.2 Filter Selection 1

 2.1.3 CT Verification 1

 2.1.4 Reset Mode 1

 2.1.5 Analog Output 1

 2.2 Front-Panel Controls 1

 2.2.1 Earth-Leakage Trip Level 1

 2.2.2 Earth-Leakage Trip Time 1

 2.2.3 Reset 1

 2.2.4 Test 3

 2.3 Front-Panel Indication 3

 2.3.1 Power 3

 2.3.2 Trip 3

 2.3.3 CT Verification 3

 2.4 Analog Outputs 3

 2.5 Self Diagnostics 3

3 INSTALLATION 3

4 SE-704 COMPATIBILITY 5

5 TECHNICAL SPECIFICATIONS 10

 5.1 SE-704 10

 5.2 Current Sensors 12

6 ORDERING INFORMATION 13

7 WARRANTY 13

8 EARTH-FAULT PERFORMANCE TEST 14

APPENDIX A SE-704 REVISION HISTORY 15

LIST OF FIGURES

1 SE-704 Outline and Mounting Details 2

2 Typical Connection Diagrams 4

3 Typical Three-Phase-Starter Connection 4

4 ELCT30-31 Current Sensor 6

5 ELCT30-88 Current Sensor 7

6 PMA-55 Panel-Mount Adapter 8

7 PMA-60 Panel-Mount Adapter 9

8 PGA-0500 Analog Percent Current Meter 10

9 Earth-Fault-Test Circuit 14

LIST OF TABLES

1 Trip-Features Comparison 5

2 Earth-Fault-Test Record 14

DISCLAIMER

Specifications are subject to change without notice. Littelfuse, Inc. is not liable for contingent or consequential damages or for expenses sustained as result of incorrect application, incorrect adjustment, or malfunction.

This page intentionally left blank.

1. GENERAL

The SE-704 is a microprocessor-based earth-leakage monitor for ac power supply systems that require earth-leakage detection as low as 10 mA. It is uniquely suited for very sensitive earth-fault protection on systems with significant harmonic content. The SE-704's output relay can operate in a fail-safe or non-fail-safe mode for undervoltage or shunt-trip applications. The SE-704 has one output relay with isolated normally open and normally closed contacts for use in independent control circuits. Additional features include LED trip and power indication, autoreset or latching trips with front-panel and remote reset, trip memory, test button, self diagnostics, 0- to 1-mA and 0- to 5-V analog outputs, current transformer (CT) verification with LED indication, digital selector switches, and switch-selectable algorithms for fixed-frequency or variable-frequency applications.

Earth-leakage current is sensed by an ELCT30 series core-balance earth-fault CT. The trip level of the earth-leakage circuit is digital-switch selectable from 10 to 5,000 mA. The trip time is digital-switch selectable from 30 to 2,000 ms.

2. OPERATION

2.1 Configuration-Switch Settings

See Fig. 1.

2.1.1 Relay Operating Mode

Switch 1 is used to set the operating mode of the output relay. In the fail-safe mode, the output relay energizes when the earth-leakage circuit is not tripped. In the non-fail-safe mode, non-volatile memory retains the trip status of the SE-704. If tripped, and the supply voltage is cycled, the SE-704 will remain tripped, with the trip relay de-energized and the TRIP LED on, until reset.

In the non-fail-safe mode, the output relay energizes when an earth-leakage trip occurs. In the non-fail-safe mode, the trip status is not retained in non-volatile memory.

2.1.2 Filter Selection

Switch 2 is used to select the filtering algorithm for earth-leakage trip levels that are 500 mA or less, and for fixed-frequency (50/60 Hz) and variable-frequency applications. The peak-detection algorithm is used for settings greater than 500 mA, regardless of the filter selection.

The FIXED FREQUENCY setting uses a DFT filter that allows lower trip levels to be used by rejecting harmonics that can cause nuisance tripping. The VARIABLE FREQUENCY setting uses a peak-detection algorithm with a wider band width for fault detection in variable-frequency drive applications.

2.1.3 CT Verification

Switch 3 is used to enable CT verification. In the ON position, a trip will occur if the ELCT30 current sensor is disconnected.

2.1.4 Reset Mode

Switch 4 is used to select autoreset or latching trips. See Section 2.2.3.

2.1.5 Analog Output

Switch 5 is used to select analog-output scaling. Selecting % OF 5A results in a full-scale output (1 mA or 5 V) when the earth-fault current is 5 A. Selecting % OF SETTING results in a full-scale output when the earth fault current is equal to the trip-level setting. See Section 2.4.

2.2 Front-Panel Controls

2.2.1 Earth-Leakage Trip Level

The LEVEL (mA) selection switch is used to set the earth-leakage trip level. For earth-leakage detection, the earth-leakage trip level must be substantially below the prospective earth-fault current. To avoid sympathetic tripping, the trip level must be above the charging current of the protected feeder.

2.2.2 Earth-Leakage Trip Time

The SE-704 has a definite-time trip characteristic. The TIME (ms) selector switch is used to set the earth-leakage trip time for coordination with upstream and downstream earth-fault devices. Coordination requires the same trip level for all earth-leakage devices in a system and the trip time to progressively increase upstream. The amount of equipment removed from the system will be minimal if the earth-leakage device that is immediately upstream from the fault is the first earth-leakage device to operate.

2.2.3 Reset

If the Reset Mode switch is in the LATCHING position, a trip remains latched until the RESET button is pressed or the remote-reset terminals (6 and 7) are momentarily connected. In the non-fail-safe relay operating mode, cycling the supply voltage will also reset the SE-704.

If the Reset Mode switch is in the AUTORESET position, a trip will reset when the fault is removed.

The reset circuit responds only to a momentary closure so that a jammed or shorted button will not prevent a trip. The front-panel RESET button is inoperative when the remote-reset terminals are connected.

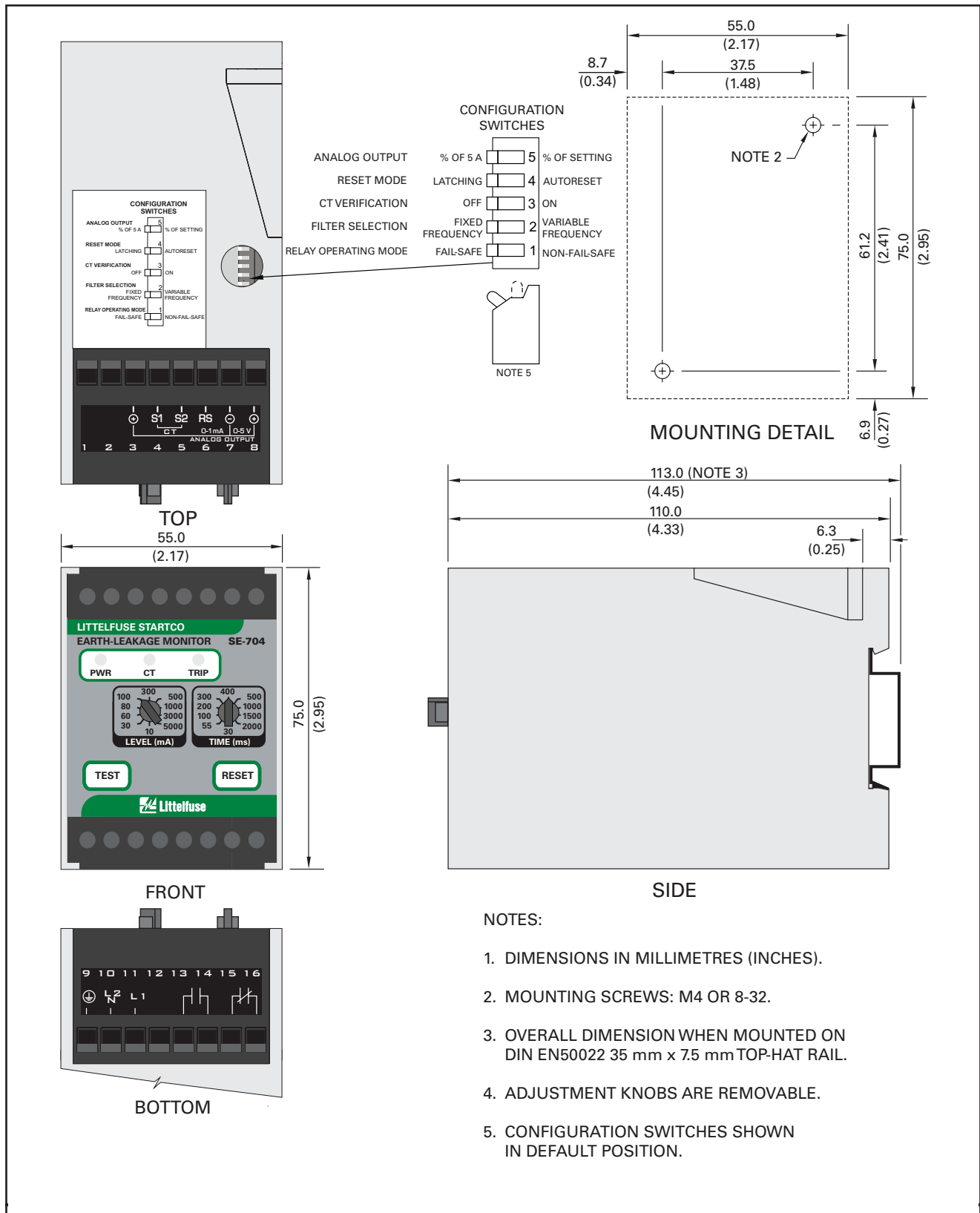


FIG. 1. SE-704 Outline and Mounting Details.

2.2.4 Test

The TEST button is used to test the earth-leakage circuit, the indication, and the output relay. When the TEST button is pressed for one second, a test signal is applied to the earth-leakage-detection circuit, the circuit will trip, the TRIP LED will light, and the output relay will operate.

2.3 Front-Panel Indication

2.3.1 Power

The green LED labeled “PWR” indicates presence of supply voltage.

2.3.2 Trip

The red LED labeled “TRIP” will indicate a trip. A solid red LED indicates an earth-leakage trip and a flashing LED indicates a trip initiated by a CT fault. Two fast flashes of the TRIP LED indicate a diagnostic trip. See Section 2.5.

2.3.3 CT Verification

The green LED labeled CT indicates that an ELCT30 sensor is connected, even if CT verification is disabled.

2.4 Analog Outputs

The non-isolated, 0- to 1-mA (terminal 3) and 0- to 5-V (terminal 8) analog outputs indicate earth-leakage current sensed by the ELCT30 series current sensor. The output is linear between zero and full scale. Use a PGA-0500 Analog Percent Current Meter to indicate earth-leakage current. See Figs. 2, 3, and 8.

2.5 Self Diagnostics

A diagnostic trip is indicated by two fast flashes of the TRIP LED. It can be caused by a problem detected by the watchdog timer, or from an incorrect reading from nonvolatile memory. Press RESET or cycle the supply voltage. If the problem persists, consult with the factory.

3. INSTALLATION

NOTE: Mounting, terminal-block connections and wiring must conform to applicable local electrical codes. Check all applicable codes prior to installation.

This earth-leakage monitoring system consists of an ELCT30 Earth-Leakage Monitor and an ELCT30-series current sensor connected (see Fig. 2 and Fig. 3). An SE-704 can be surface or DIN-rail mounted. See Fig. 1. Panel mounting requires a PMA-55 or PMA-60 Panel-Mount Adapter. See Fig. 6 and Fig. 7.

Use terminal 11 (L1) as the line terminal for ac systems or the positive terminal for dc systems. Use terminal 10 (L2/N) as the neutral terminal on ac systems or the negative terminal on dc systems. Connect terminal 9 (⊕) to earth.

Pass the phase conductors through the CT window and position them in the center of the opening. For 4-wire and single-phase systems, also pass the neutral conductor through the CT window, as shown in Fig. 2 and Fig. 3. Do not pass earth conductors through the CT window. In applications that require shields or drain wires to pass through the CT window, return them through the CT window before connecting them to earth. Connect the ELCT30-series current sensor to terminals 4 and 5. Connect the shield to terminal 5. and earth terminal 5. See Fig. 4 and Fig. 5 for ELCT30 current-sensor dimensional drawings.

Remove the connection to terminal 9 for dielectric strength test. All inputs and outputs have ANSI/IEEE C37.90 surge protection circuits that conduct above 300 Vac.

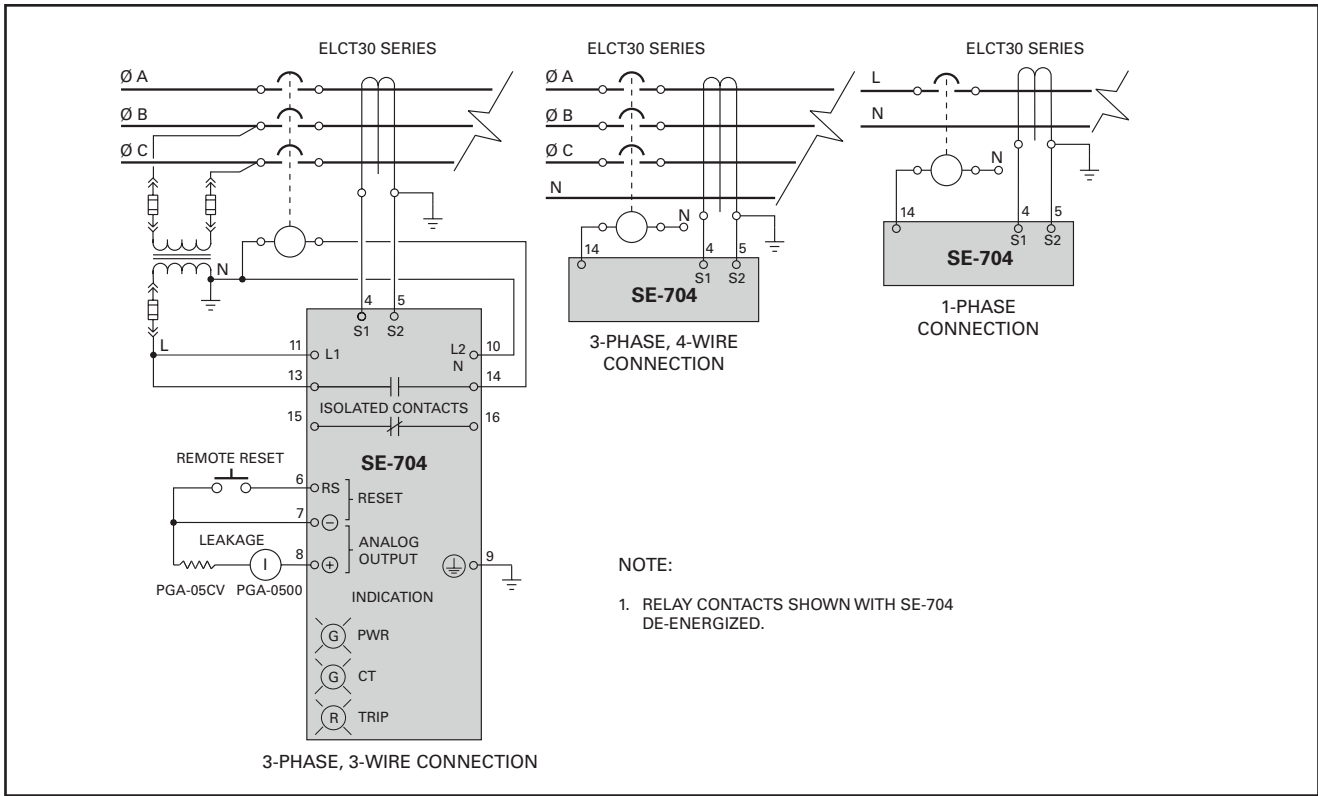


FIG. 2. Typical Connection Diagrams.

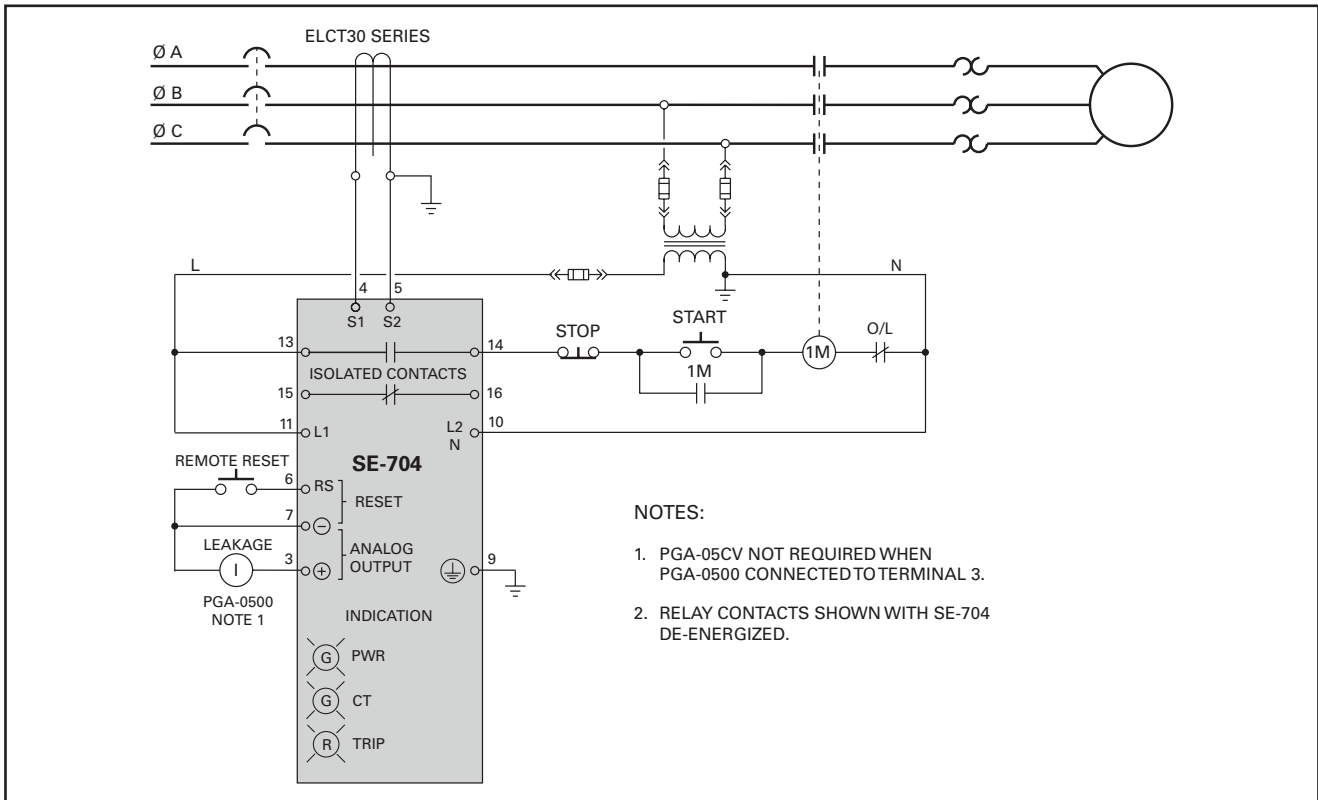


FIG. 3. Typical Three-Phase-Starter Connection.

4. SE-704 COMPATIBILITY

The updated SE-704 has been enhanced with the addition of non-volatile trip memory for the fail-safe relay operating mode. Prior to hardware revision 01, a mechanical flag was used instead of a non-volatile trip memory. The updated revision of the SE-704 can directly replace previous revision-00 units. The hardware-revision number is listed on the SE-704 model/serial-number label affixed to the SE-704 enclosure. SE-704 generations are compared in Table 1.

The SE-704 was previously available with SE-704-01 120-Vac and SE-704-02 240-Vac control-voltage options. These have been discontinued. An SE-704-0U universal 120/240-Vac/Vdc unit can directly replace an SE-704-01 or SE-704-02.

TABLE 1. TRIP-FEATURES COMPARISON

		HARDWARE REVISION	
		00	≥01
LED trip indication		Yes	Yes
Mechanical flag trip indication		Yes	No
Non-volatile trip memory		No	Yes
Device state after supply voltage cycled when tripped (earth fault removed)	Fail-safe	Trip LED: Off Trip relay: Energized Trip flag: Red	Trip LED: On Trip relay: De-energized
	Non-fail-safe	Trip LED: Off Trip relay: De-energized Trip flag: Red	Trip LED: Off Trip relay: De-energized

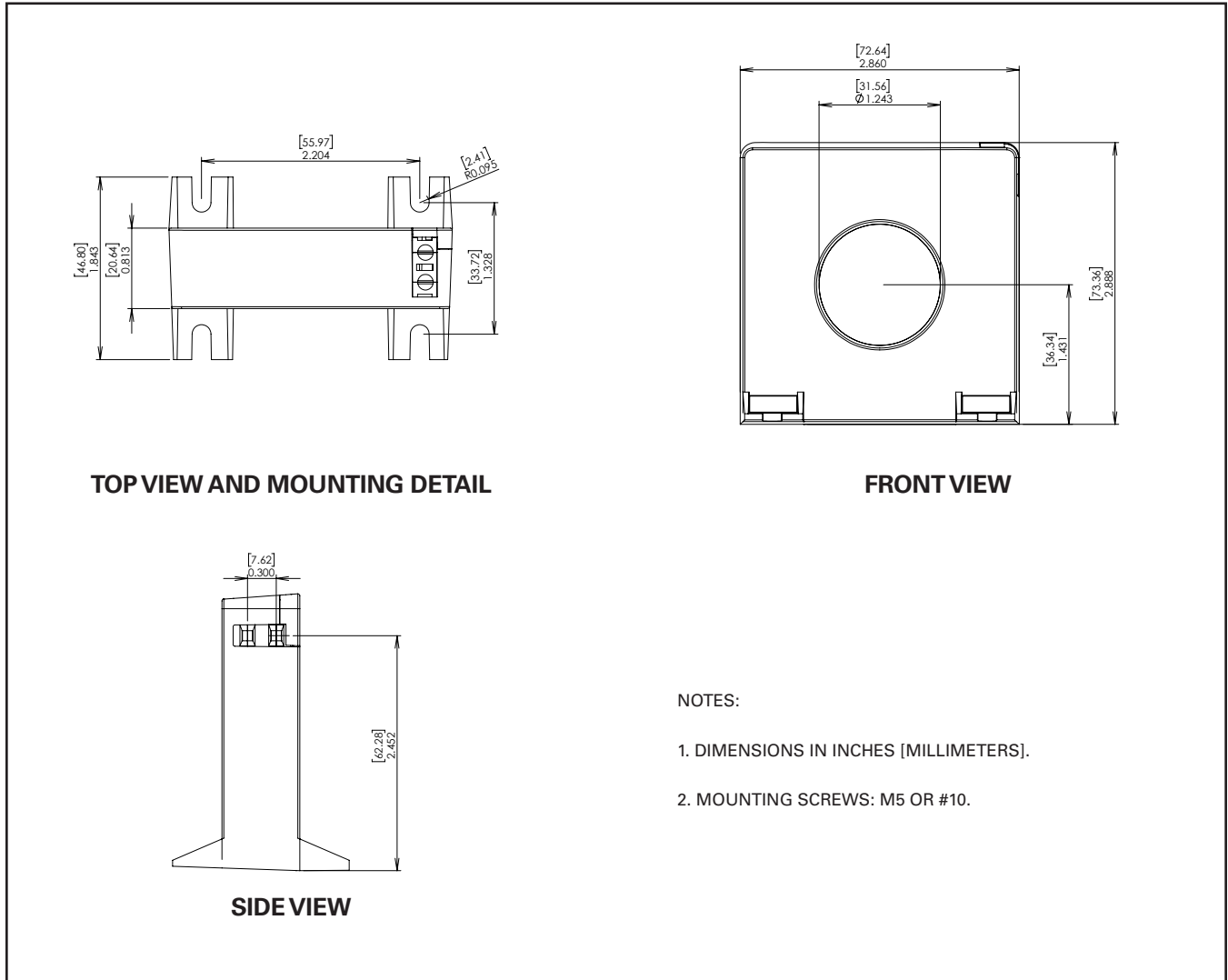


FIG. 4. ELCT30-31 Current Sensor.

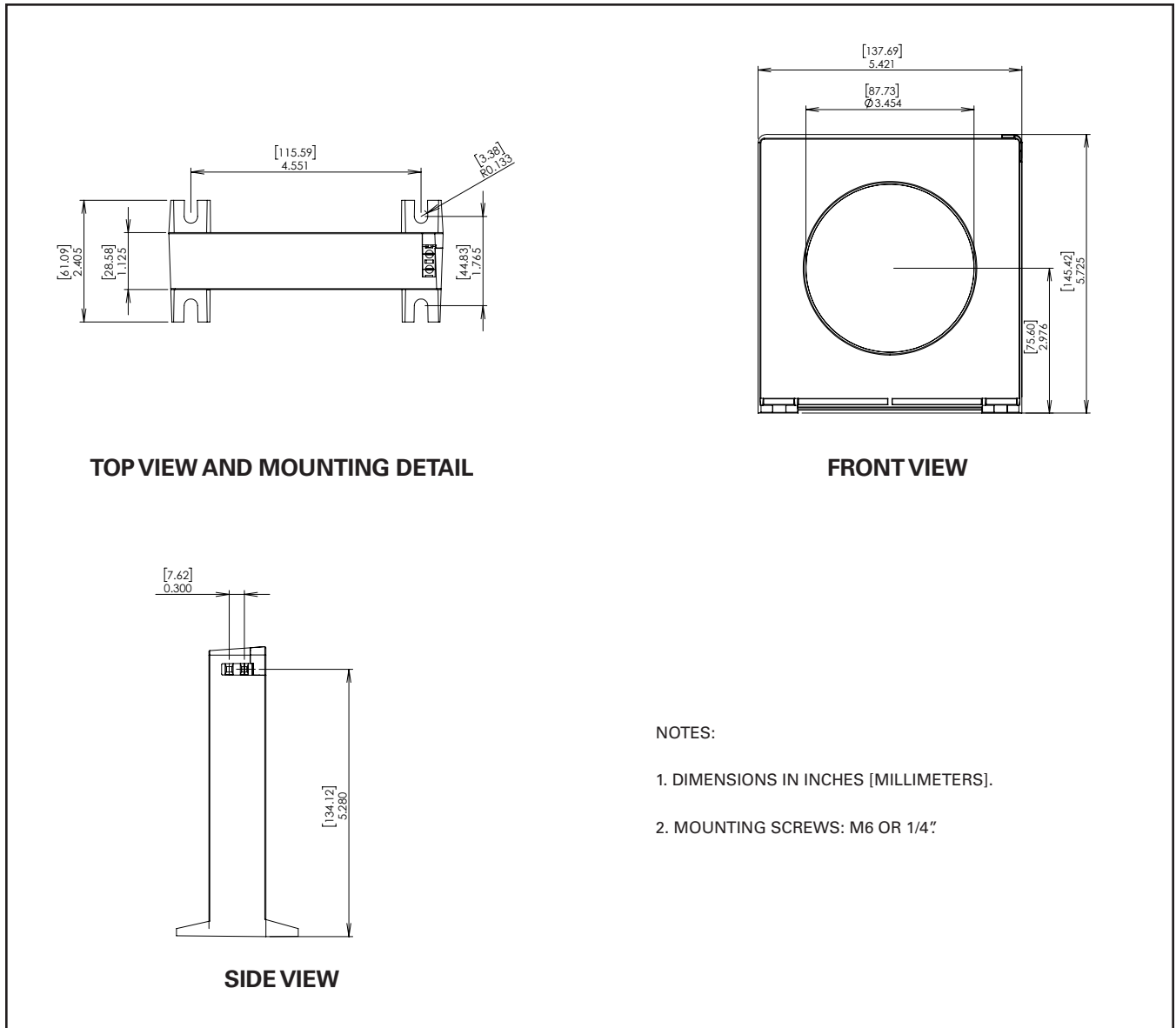


FIG. 5. ELCT30-88 Current Sensor.

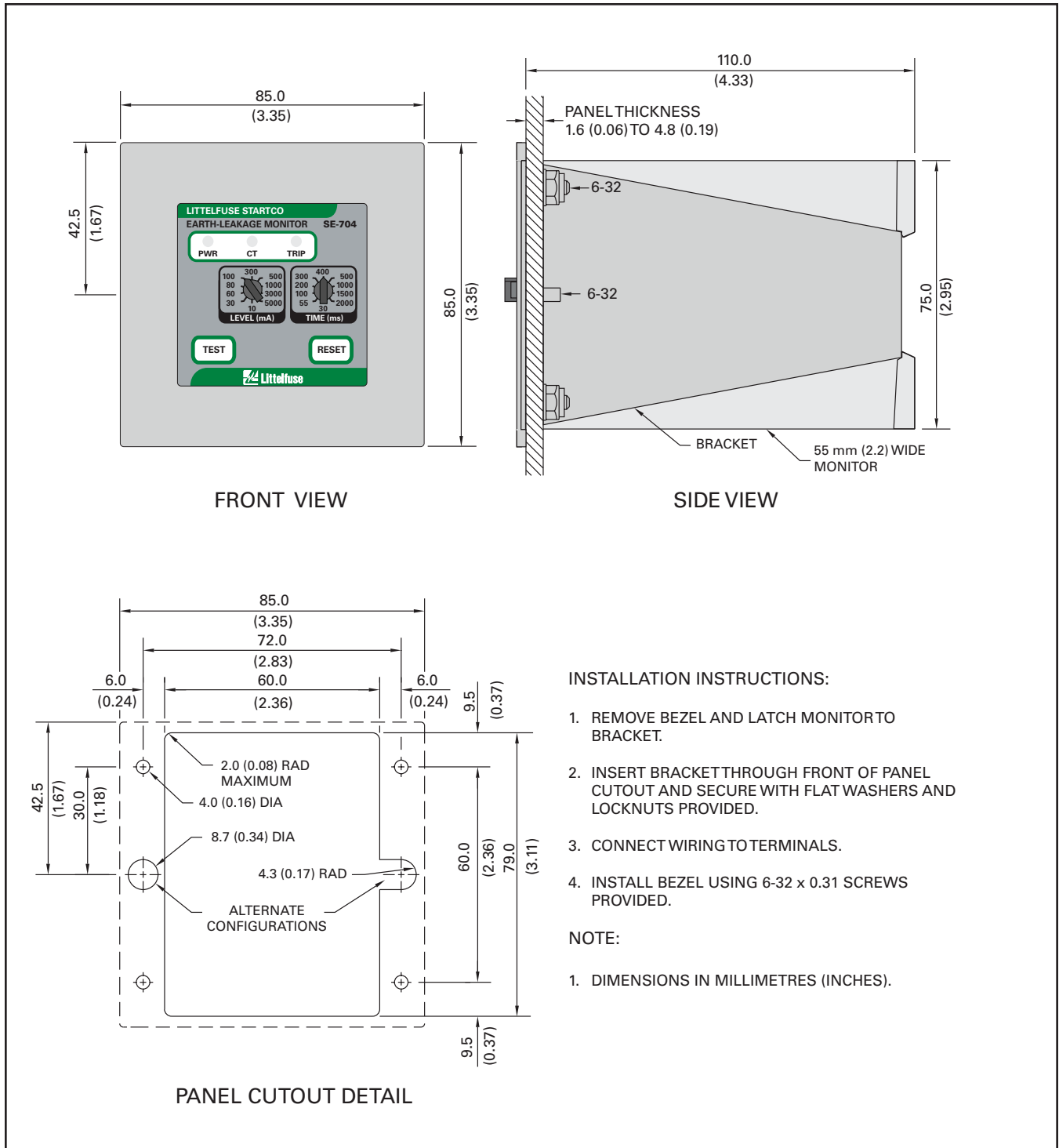


FIG. 6. PMA-55 Panel-Mount Adapter.

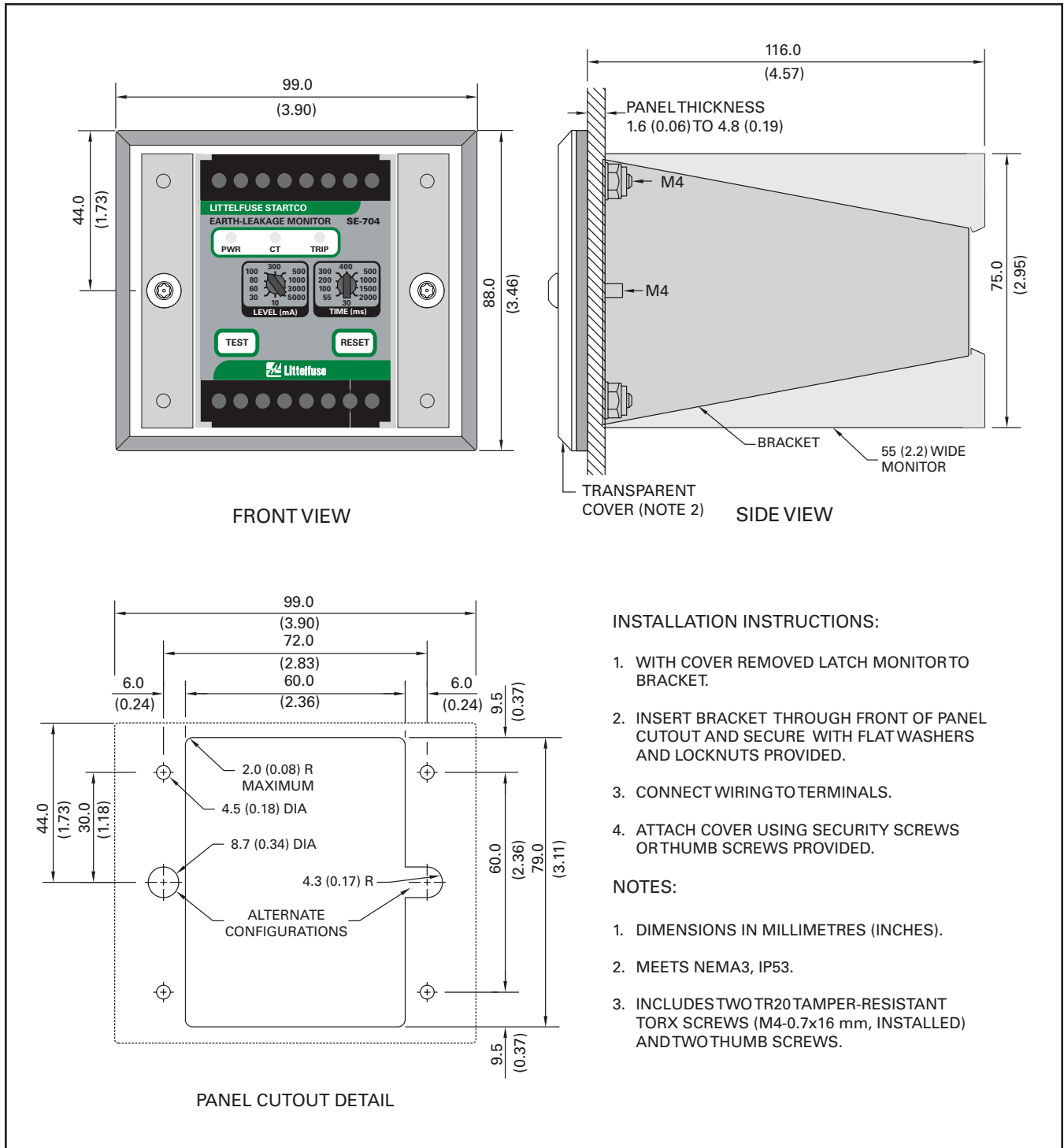


FIG. 7. PMA-60 Panel-Mount Adapter.

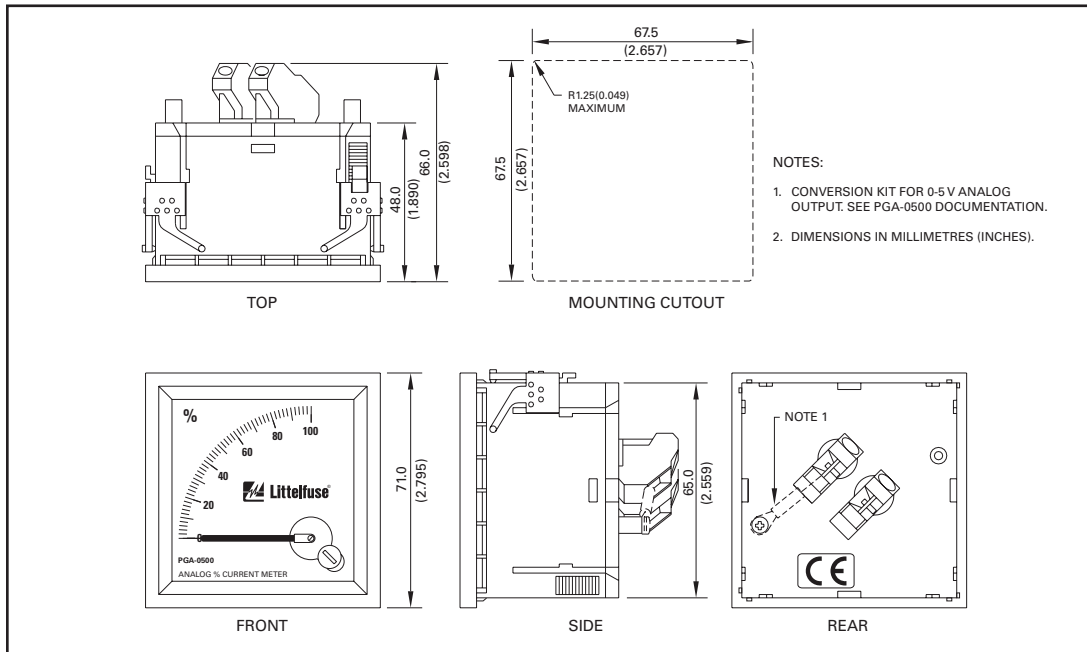


FIG. 8. PGA-0500 Analog Percent Current Meter.

5. TECHNICAL SPECIFICATIONS

5.1 SE-704

Supply:

OU Option	5 VA, 120 to 240 Vac, (+20, -55 %) 50/60 Hz, 2 W, 100 to 240 Vdc, (+20, -25 %)
OD Option	2 W, 12 to 30 Vdc, (+20, -25 %)
OT Option	2 W, 40 to 55 Vdc, (+20, -25 %)
O3 Option	2.5 VA, 24 Vac, (+15, -40 %), 50/60 Hz
Trip-Level Settings	10, 30, 60, 80, 100, 300, 500, 1,000, 3,000, and 5,000 mA
Trip-Time Settings	30, 55, 100, 200, 300, 400, 500, 1,000, 1,500, and 2,000 ms

Accuracies: ^(1, 2)

Trip Level: ^(3, 4)

ELCT30 series CT:

10 mA	+/-4 mA
30 mA	+0, -8 mA
60 to 500 mA	+0 %, -12 %, 12 mA min
1000 to 5000 mA	+2 %, -12 %

CS30 series CT:

10 mA	+4, -1 mA
30 mA	+0, -6 mA
60 to 500 mA	+0 %, -10 %, 10 mA min
1000 to 5000 mA	+2 %, -12 %

Trip Time ⁽⁵⁾

5 % of setting, 20 ms min

Input:

Algorithms ⁽⁶⁾	DFT Digital or Peak
DFT 3 dB Frequency	
Response	32 to 86 Hz (<1,000 mA)
Peak 3 dB Frequency	
Response	20 to 420 Hz (<1,000 mA)
Peak 3 dB Frequency	
Response	20 to 120 Hz (≥1,000 mA)
CT	ELCT30-Series Current Sensor
CT Detection	Open-Circuit Detection

Thermal Withstand:

Continuous	25 A Earth-Fault Current
1-Second	400 A Earth-Fault Current

Analog Output:		3,000 m (9,843 ft)	-40 to 55°C
Modes	% of 5 A or % of Trip-Level Setting		(-40 to 131°F)
Range:		5,000 m (16,404 ft)	-40 to 50°C
Terminal 3	0 to 1 mA		(-40 to 122°F)
Terminal 8	0 to 5 Vdc	Storage Temperature	-55 to 80°C
Output Impedance:			(-67 to 160°F)
Terminal 3	4,970 Ω	Humidity	85% Non-Condensing
Terminal 8	220 Ω	Altitude	5,000 m (16,404 ft) maximum
Output Relay:		PWB Conformal Coating	MIL-1-46058 qualified UL QMJU2 recognized
Contact Configuration	Isolated N.O. and N.C.	Surge Withstand	ANSI/IEEE 37.90.1-1989 (Oscillatory and Fast Transient)
Operating Mode	Fail-Safe or Non-Fail-Safe	Vibration	EN60255-21-1 (Vibration, Shock, and Seismic) EN60255-21-2 (Shock and Bump)
CSA/UL Contact Rating	8 A General Use, 250 Vac, 8 A Resistive, 30 Vdc 0.25 HP, 120/240 Vac	EMC Tests:	
Supplemental Contact Ratings:		Verification tested in accordance with IEC 60255-26:2013 Radiated and Conducted	
Carry Current	8 A, maximum	Emissions	CISPR 11:2009, CISPR 22:2008, EN55022:2010 Class A
Break:		Current Harmonics and Voltage Fluctuation	IEC 61000-3-2 and IEC 61000-3-3 Class A
30 Vdc	240 W Resistive, 170 W Inductive (L/R = 7 ms)	Electrostatic Discharge	IEC 61000-4-2 ± 6 kV contact discharge (direct and indirect) ± 8 kV air discharge
120 Vdc	24 W Resistive, 17 W Inductive (L/R = 7 ms)	Radiated RF Immunity	IEC 61000-4-3 10 V/m, 80-1000 MHz, 80% AM (1 kHz) 10 V/m, 900 MHz, 200 Hz pulse modulated
ac	2,000 VA Resistive, 875 VA Inductive (PF = 0.4)	Fast Transient	IEC 61000-4-4 ±4 kV on AC mains and I/O lines
Subject to maximums of 8 A and 250 Vac/30 Vdc or 200 mA at 120 Vdc			
Trip Mode	Latching or Autoreset		
Reset	Front-Panel Button and Remote N.O. Contact		
Functional Test	Front-Panel Button		
Terminals	Wire Clamping, 24 to 12 AWG (0.2 to 2.5 mm ²) conductors		
Dimensions:			
Height	75 mm (3.0 in.)		
Width	55 mm (2.2 in.)		
Depth	113 mm (4.5 in.)		
Shipping Weight	0.45 kg (1 lb)		
Environment:			
Operating Temperature:			
Altitude:			
≤ 1,000 m (3,281 ft)	-40 to 60°C (-40 to 140°F)		

Surge Immunity.....	IEC 61000-4-5 Zone B ± 1 kV differential mode ± 2 kV common mode
Conducted RF Immunity.....	IEC 61000-4-6 10 V, 0.15-80 MHz, 80 % AM (1 kHz)
Magnetic Field Immunity.....	IEC 61000-4-8 50 Hz and 60 Hz , 30 A/m and 300 A/m
Voltage Interruption.....	IEC 61000-4-11, IEC 61000-4-29, 0% for 5, 10, 20, 50, 100 & 200 ms 3x each
Power Frequency	EC 61000-4-16 Zone A: differential mode 150 Vrms Zone A: common mode 300 Vrms
1 MHz Burst.....	IEC 61000-4-18 ± 1 kV differential mode (line-to-line) ± 2.5 kV common mode
RFI Compliance	FCC Part 15, Subpart B, Class A – Unintentional Radiators
Certification	CSA, Canada and USA



UL Listed



Australia



FCC



CE, European Union



CSA C22.2 No.14 Industrial Control Equipment
UL 508 Industrial Control Equipment
UL 1053 Ground Fault Sensing and Relaying Equipment
Australia, Regulatory Compliance Mark (RCM)
CE Low Voltage Directive
IEC 61010-1:2010/AMD1:2016
FCC CFR47. Part 15. Subpart B.
Class A - Unintentional Radiators

NOTES:

- (1) Detection limit (A) = (setting in mA – 5,610)/-1.4.
- (2) At 50 or 60 Hz unless otherwise noted.
- (3) ELCT30-series current sensor included.
- (4) Maximum lead resistance of 2 Ω.
- (5) Trip Time at 3 x trip-level setting.
- (6) Peak algorithm for trip-level setting ≥ 1,000 mA.

5.2 Current Sensors

Environment:

Operating Temperature.....	-40 to 60°C (-40 to 140°F)
Storage Temperature	-55 to 80°C (-67 to 176°F)
Compliance	RoHS, IEC 61869-2 ANSI/IEEE C57.13

ELCT30-31:

Current Ratio.....	30:0.05A
Insulation	600V
Window Diameter	31mm (1.22 in.)
Shipping Weight.....	0.45 kg (1 lb)
Certifications.....	cUL CE

ELCT30-88:

Current Ratio.....	30:0.05A
Insulation	600V
Window Diameter	88 mm (3.46 in.)
Shipping Weight.....	0.91 kg (2 lb)
Certifications.....	cUL CE

6. ORDERING INFORMATION

SE-704-0


Conformal Coating:
 Blank – Partial Conformal Coating
 CC – Full Conformal Coating

Supply:
 3 – 24-Vac Supply
 U – Universal 120/240-Vac/Vdc Supply
 D – 12/24-Vdc Supply
 T – 48-Vdc Supply

ELCT30-31	Current Sensor, 31 mm (1.22 in.) window
ELCT30-88	Current Sensor 88 mm (3.46 in.) window
PGA-0500	Analog Percent Current Meter (PGA-05CV included)
PMA-55	Panel-Mount Adapter, NEMA 1
PMA-60	Panel-Mount Adapter, NEMA 3, IP53. Includes two TR20 tamper-resistant Torx screws and two thumb screws.
AC700-HW-00	TR20 tamper-resistant Torx, 0.25 in. insert bit
AC700-HW-01	TR20 tamper-resistant Torx driver
PMA-3	Adapter Plate, GEC/MCGG
PMA-6	Adapter Plate, FPL-GFRM
PMA-15	Adapter Plate, MGFR

Consult factory for custom mounting adapters.

7. WARRANTY

The SE-704 Earth-Leakage Monitor is warranted to be free from defects in material and workmanship for a period of five years from the date of purchase.

Littelfuse will (at Littelfuse's option) repair, replace, or refund the original purchase price of an SE-704 that is determined by Littelfuse to be defective if it is returned to the factory, freight prepaid, within the warranty period. This warranty does not apply to repairs required as a result of misuse, negligence, an accident, improper installation, tampering, or insufficient care. Littelfuse does not warrant products repaired or modified by non-Littelfuse personnel.

APPENDIX A SE-704 REVISION HISTORY

MANUAL RELEASE DATE	MANUAL REVISION	PRODUCT REVISION (REVISION NUMBER ON PRODUCT LABEL)
July 5, 2018	7-D-070518	04
August 28, 2014	7-C-082814	
May 21, 2014	7-B-052114	
April 8, 2013	7-A-040813	

MANUAL REVISION HISTORY

REVISION 7-D-070518

ALL SECTIONS

ELCT series added.
CS30 series removed.

SECTION 5

Specifications updated.

REVISION 7-C-082814

SECTION 3

EFCT-x figures updated.

SECTION 4

EMC Test specifications updated.

REVISION 7-B-052114

SECTION 4

Figs. 2, 3, 4, 5, 6, and 9 updated.

SECTION 5

Update to include altitude and vibration specifications.
FCC certification added.
Update to trip-level accuracy.
Added current sensor specifications.

SECTION 6

Ordering information updated.

SECTION 8

Fig. 10 updated.

REVISION 7-A-040813

SECTION 3

Fig. 2 updated to include PGA-05CV.

SECTION 4

Fig. 6 updated.

SECTION 5

Environment section updated to include Fahrenheit temperature range.

APPENDIX A

Revision history added.

PRODUCT REVISION HISTORY

REVISION 04

Firmware: Improved operation of front-panel test button.