



Expertise Applied | Answers Delivered



AF0100  
ARC-FLASH  
RELAY



# APPLICATION GUIDE

## APPLICATION GUIDE

### Table of Contents

|   |    |
|---|----|
| <b>1 INTRODUCTION</b>   | 3  |
| 1.1 Arc-Flash Relay   | 3  |
| 1.2 Optical Sensors   | 3  |
| <b>2 DESIGN</b>   | 4  |
| 2.1 Typical Arc-Flash Protection Applications                 | 4  |
| 2.2 Arcing Faults   | 5  |
| 2.2.1 Typical Energy in an Arcing Fault                       | 5  |
| 2.2.2 Arc-Flash Relays and PPE                                | 5  |
| 2.2.3 Arc-Flash Relays in Engineering Software Packages       | 5  |
| 2.3 Electrical Drawings                                       | 6  |
| 2.3.1 AF0100 Arc-Flash Relay Back Plate and Sensor Dimensions | 6  |
| 2.3.2 Connections   | 6  |
| 2.3.3 Symbols   | 6  |
| <b>3 INSTALLATION</b>   | 7  |
| 3.1 Block Diagram   | 7  |
| 3.2 Relay Placement   | 7  |
| 3.2.1 Maximum Distance to Circuit-Breaker                     | 7  |
| 3.2.2 Maximum Distance to Sensors                             | 8  |
| 3.3 Redundant Trip Path                                       | 9  |
| 3.4 Sensor Placement  | 9  |
| 3.4.1 Point Sensor Placement                                  | 10 |
| 3.4.2 Fiber-Optic Sensor Placement                            | 11 |
| <b>4 EXAMPLES</b>   | 12 |
| 4.1 Generator Application                                     | 12 |
| 4.2 Main–Tie–Main Application                                 | 13 |
| <b>APPENDIX A: SUPPORTING MATERIALS</b>                       | 14 |

## APPLICATION GUIDE

### 1 INTRODUCTION

#### 1.1 Arc-Flash Relay

The AF0100 is a microprocessor-based protection relay that limits arc-flash damage by using light sensors to rapidly detect the arc and then trip a circuit breaker. Sensors, inputs, and trip-coil voltage are monitored to ensure fail-safe operation. A secondary solid-state circuit provides a redundant trip path in shunt trip mode. A USB port is used for configuration.

The AF0100 can be used on electrical systems operating at any voltage (AC or DC) since it does not directly connect to the system. The small size of the AF0100 allows installation in any switchgear cubicle, transformer compartment, generator control panel, or motor control center bucket.

#### 1.2 Optical Sensors

The AF0100 accepts PGA-LS10 (point), PGA-LS20, and PGA-LS30 (fiber) optical sensors. These sensors have been designed to have a wide detection angle and provide the correct sensitivity for an arc flash. LEDs on the relay and on the sensors indicate sensor health and which sensor(s) detected an arc fault. All sensor types include an optical-to-electrical transducer and connect to the AF0100 with copper wire.

##### *Point Sensor (PGA-LS10)*

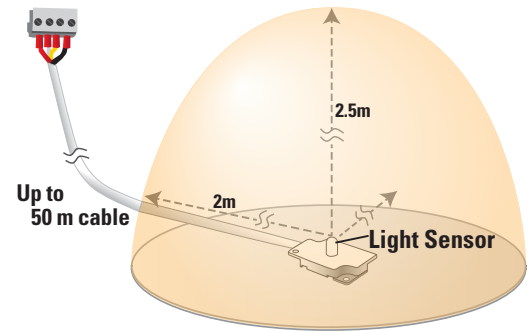
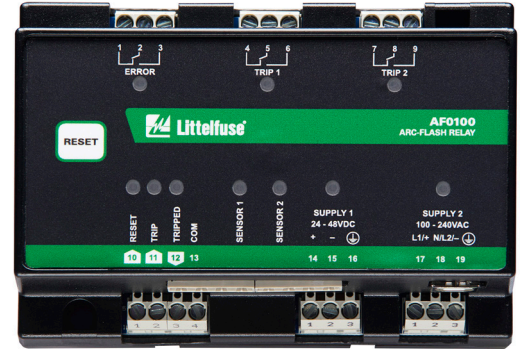
The point sensor has a detection area of a 2 m half-sphere for arcs of 3 kA or more. Each PGA-LS10 features a built-in LED which enables an AF0100 to verify the function of the light sensor, wiring, and electronics. If the relay does not detect the sensor-check LED, a sensor-fail alarm will occur; the ERROR output will change state, the ERROR LED will begin to flash, and the sensor LED will show short red flashing. The sensor includes 10 m of shielded three-wire electrical cable which can easily be shortened or extended to a maximum of 50 m.

##### *Fiber-Optic Sensor (PGA-LS20, PGA-LS30)*

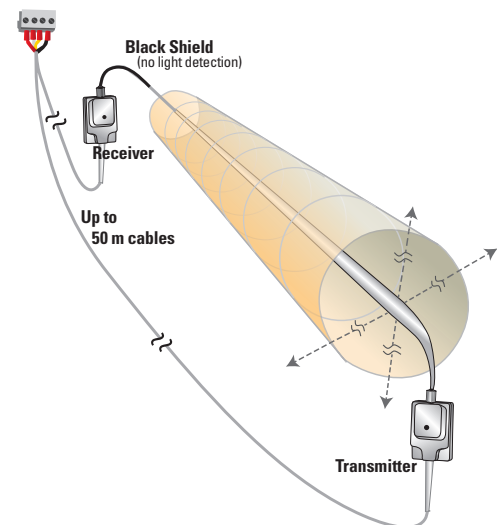
The fiber-optic sensor has a 360° detection zone along the fiber's length (8 m for the PGA-LS20, 18 m for the PGA-LS30). Each PGA-LS20 and PGA-LS30 features a built-in LED which enables the AF0100 to verify the function of the fiber-optic light sensor, wiring, and electronics. If the relay does not detect the sensor-check LED, a sensor-fail alarm will occur; the ONLINE output will change state, the ONLINE LED will begin to flash, and the sensor LED will show short red flashing.

The fiber-optic sensors have three components:

1. A fiber-optic cable bundle terminating on both ends, one end covered with a black sleeve, and the other is uncovered. Both ends are terminated at the factory.
2. A transmitter with a white enclosure and a white thumb nut.
3. A receiver with a white enclosure, a black thumb nut, and an adjustment screw behind an access hole. Both the receiver and the transmitter connect to a single input on the AF0100 using shielded three-wire electrical cable. The receiver and transmitter each include 10 m of shielded three-wire electrical cable that can easily be shortened or extended to a maximum of 50 m. All three components are monitored to ensure continuity and correct operation.



PGA-LS10:  
Detection Range of a 3 kA Arcing Fault



PGA-LS30: Active Length of 18 m

## APPLICATION GUIDE

### *Fiber*

The fiber is the light-collecting element of the PGA-LS20 and PGA-LS30. It must be installed so it has line-of-sight to all current-carrying parts. In some cases this may be accomplished by mounting in a position that follows the bus bars along the back wall of the cabinets.

Connect the black-sleeve-covered end to the receiver using the black thumb nut, and the white uncovered end to the transmitter using the white thumb nut. Ensure the fiber is inserted completely into the transmitter and receiver and the nuts are tightened. Pull gently on the electrical cable to verify a secure connection.

The fiber should not be sharply bent or pinched. The minimum bending radius is 5 cm.

### *Point or Fiber-Optic Sensors?*

The AF0100 supports two types of arc-flash sensors, point sensors (PGA-LS10) and fiber-optic sensors (PGA-LS20 and PGA-LS30). Both sensor types gather light and transmit the intensity of the light back to the AF0100. The point sensor monitors the light from a single collection point while the fiber-optic sensors collect light along their entire length. The decision to use point sensors or fiber-optic sensors comes down to the geometry of the equipment to be monitored and the importance of fault location. In a switchgear installation with many small cabinets, it may be more cost-effective to pass a single fiber-optic sensor through all the cabinets than to install one point sensor per cabinet. However, this is done at the expense of using the fault location features of the AF0100 to determine the location of the arc-flash within those cabinets, not which sensor sees the fault. Sensor types can be combined to further customize the solution. An understanding of the two sensor types and their properties is important for selecting the correct sensors.

## 2 DESIGN

### 2.1 Typical Arc-Flash Protection Applications

Although an arc flash is improbable on systems operating at 208 V or less, systems with higher voltages have sufficient capacity to cause an arc flash and should use proper protection. Arc-flash protection is especially important in the following applications:

- **Solidly grounded electrical distribution systems:** It is estimated that over 95% of all electrical faults are, or begin as, a ground fault\*. Ground-fault current on a solidly grounded system is only limited by the resistance of the fault and system impedance, and has the potential to cause an arc flash.
- **Alarm-only systems:** When ground faults are allowed to persist on a system, particularly in an ungrounded system, the faults can cause rapid deterioration of electrical safety and escalation into an arc flash.
- **High-Current Systems:** The 2017 US NEC, section 240.87 includes “active arc-flash mitigation system” in a short list of options that shall be used to reduce clearing time “Where the highest continuous current trip setting for which the actual overcurrent device installed in a circuit breaker is rated or can be adjusted is 1200 A or higher.”
- **Air-cooled transformers:** On air-cooled equipment, the winding insulation, terminals, and ground points are exposed to the environment. Pollution, dust, and other contaminants can cause premature insulation failure and can lower the resistance of the air gap between energized conductors, and between energized conductors and ground. Insulation failure and lower air-gap resistance increase the probability of an arc flash.
- **Generators:** Incident energy levels are typically very high on generators, and portable generators are often in enclosed trailers which make maintenance difficult and dangerous.
- **Rack-out breakers:** As a circuit breaker is racked out, there is a potential for an arc flash to develop when the electrical contacts are disconnected while energized.
- **Devices with high inrush currents:** Transformers, capacitor-banks, surge arrestors, large motors, and other reactive loads will cause a high-inrush current when energized. To allow these systems to operate properly, instantaneous-current settings on circuit breakers will either be set very high or not used, allowing an arc-flash to remain on the system for longer, or not be detected at all.
- **Low-voltage equipment:** Higher fault currents at lower voltage and a mentality that lower voltages are safer than high voltages mean that many arc-flash incidents actually occur on low-voltage equipment.

\*Source: *Industrial Power System Grounding Design Handbook* by J.R. Dunki-Jacobs, F.J. Shields, and Conrad St. Pierre, page xv.

## APPLICATION GUIDE

- **Medium and high-voltage equipment:** Medium-voltage equipment (4160 V and higher) often uses air insulation.
- **Moveable and mobile electrical equipment:** Mobile electrical equipment is subject to physical damage while in motion and has a higher potential for an arc flash. The designs are often more compact, reducing air gap insulation levels.
- **Areas where work or maintenance is regularly performed on energized equipment:** While maintenance personnel are required to wear proper PPE when working on or around energized equipment, an arc-flash relay can be used to lower the levels of hazard that personnel are exposed to.
- **Older facilities:** Where often, room is not available for any other means of Arc-Flash Hazard mitigation.

### 2.2 Arcing Faults

#### 2.2.1 Typical Energy in an Arcing Fault

A phase-to-phase fault on a 480-V system with 20,000 amperes of fault current provides 9,600,000 watts of power. Imagine that there is no arc protection and the fault lasts for 200 milliseconds before the overcurrent protection clears it. The released energy would be 2 MJ, which corresponds roughly to a stick of dynamite.

The energy formula is as follows:

$$\text{Energy} = \text{voltage} \times \text{current} \times \text{time} = 480 \text{ V} \times 20,000 \text{ A} \times 0.2 \text{ s} = 1,920,000 \text{ J}$$

For a given system voltage, two factors can be adjusted to reduce arc-flash energy: time and current.

Time can be reduced by using a device such as the AF0100 to rapidly detect an arc flash, thus causing the connected circuit breaker to trip at its instantaneous speed, overriding any inverse-time delay. Current can be reduced by using current-limiting fuses or, in case of phase-to-ground faults, by using high-resistance grounding.

#### 2.2.2 Arc-Flash Relays and PPE

Reducing the clearing time is typically a trade-off with system uptime for current-based protection. Sufficient delay is required to prevent unnecessary tripping on momentary overload or current spikes. Such delay limits how quickly such a system can react.

Arc-flash relays address this issue by detecting light rather than current, which permits a much faster response that is independent of current spikes and momentary overloads. The AF0100 relay can detect an arcing condition and send a trip signal to a circuit breaker in milliseconds. This response time is much faster than standard current-based protection, which means using an arc-flash relay will lower the incident energy or arc-flash hazard in most cases. This results in increased worker safety, less fault damage, and improved uptime.

If the arc-flash incident energy has decreased, the associated PPE requirement may also be lowered. The exact improvement will depend on the installation, so the AF0100 must be modeled in the system to determine the new incident energy and PPE.

#### 2.2.3 Arc-Flash Relays in Engineering Software Packages

To date, engineering software used for three-phase power system design and analysis (including arc-flash incident energy calculations) rely on time-current curves for overcurrent protection devices. Examples of this type of software include SKM, EasyPower, etap, and others.

Because arc-flash relays use light instead of current, the operation time is independent of the current to the extent that the light produced from the current is above the threshold. The AF0100's time-current curve is a horizontal line at the response time of the configuration used (5 ms for typical a arc-flash application and configuration).

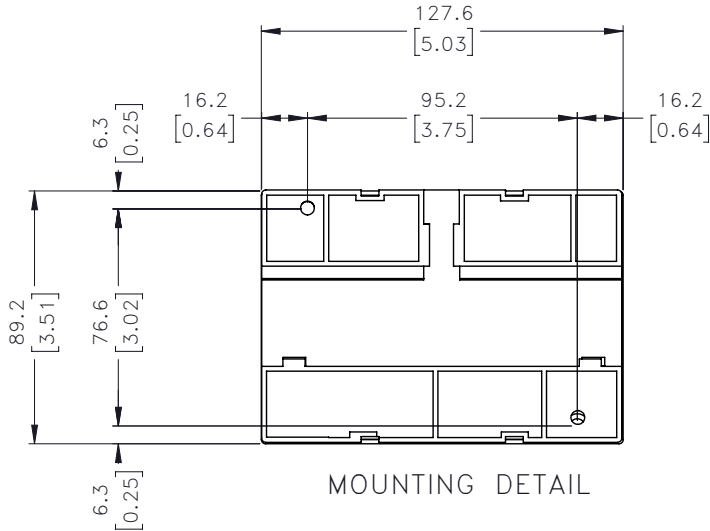
In order to model the AF0100 in these software packages, the operating time of the breaker connected to the AF0100 should be adjusted to its instantaneous trip time plus the AF0100 operation time. These times can be found in the AF0100 manual, but vary from 3 ms to 8 ms and with a typical shunt breaker connected to the normally open contact is 5 ms. Detailed instructions on modeling an arc-flash relay in various software packages can be found in the Technical Resources section of the Littelfuse.com website.



## APPLICATION GUIDE

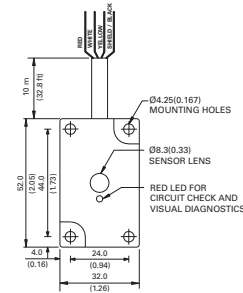
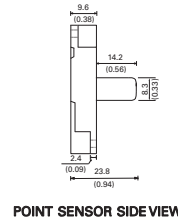
### 2.3 Electrical Drawings

#### 2.3.1 AF0100 Arc-Flash Relay Back Plate and Sensor Dimensions

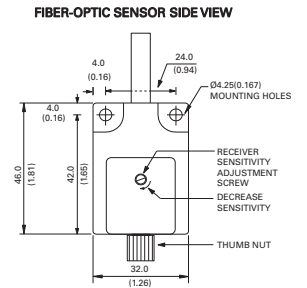
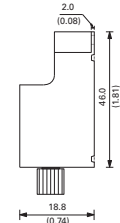


**NOTES:**

1. DIMENSIONS IN MILLIMETERS [INCHES].
2. MOUNT USING DIN RAIL OR TWO #6 SCREWS

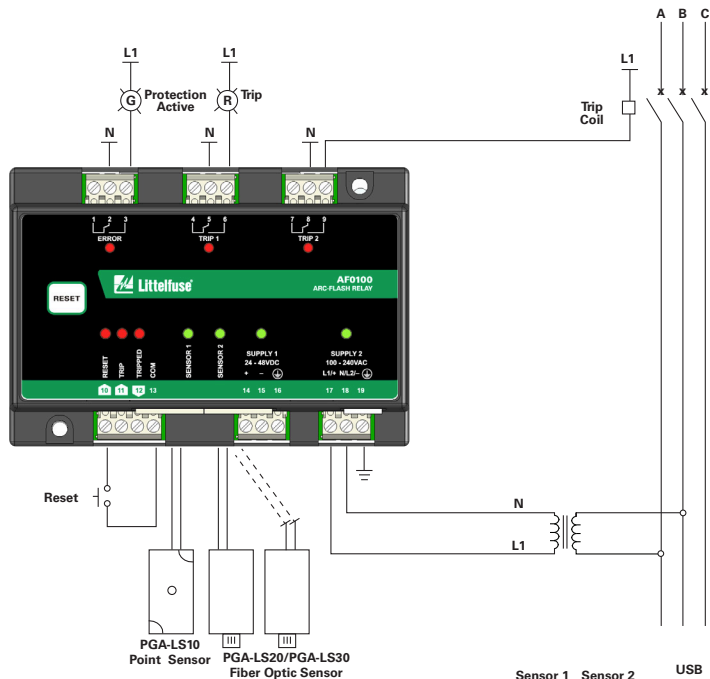


**PGA-LS10**



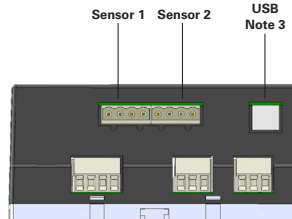
**PGA-LS20 and PGA-LS30**

#### 2.3.2 Connections



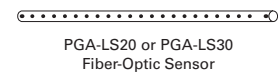
**NOTES:**

1. RELAY OUTPUTS SHOWN DE-ENERGIZED.
2. A TOTAL OF TWO POINT OR FIBER-OPTIC SENSORS CAN BE CONNECTED. USB 'B' CONNECTOR. FOR CONFIGURATION, SEE SECTION 7.3 OF THE AF0100 MANUAL.
- 3.



#### 2.3.3 Symbols

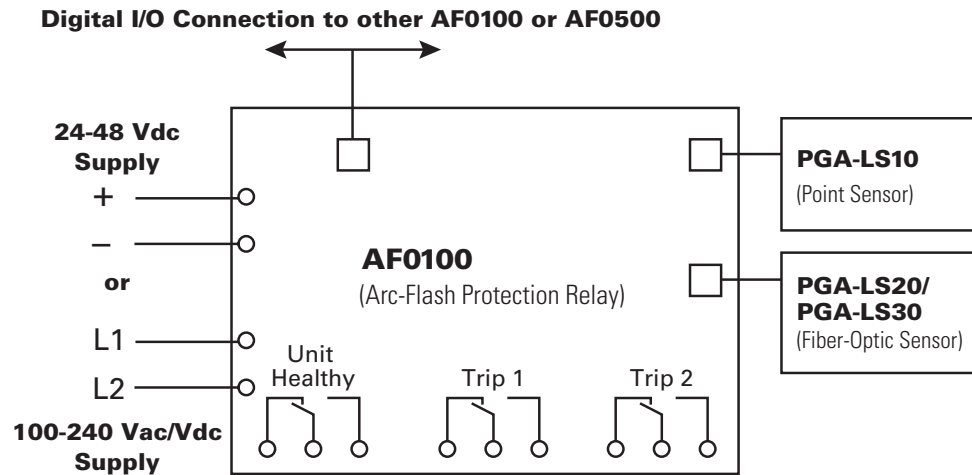
These symbols are to be used in electrical drawings of the AF0100:



## APPLICATION GUIDE

### 3 INSTALLATION

#### 3.1 Block Diagram



#### 3.2 Relay Placement

##### 3.2.1 Maximum Distance to Circuit-Breaker

In order to determine the maximum permitted distance, the following data is required:

- Burden of the shunt trip-coil (see data sheet of shunt trip)
- Available trip voltage in the installation
- Permitted voltage range of the trip coil (lowest permitted voltage for the shunt trip to operate, see data sheet of the shunt trip)
- Wire material and specific electrical resistance of that material

## APPLICATION GUIDE

### Calculation Definitions and Example

| VARIABLE                | DEFINITIONS  |
|-------------------------|--|
| <b>S</b>                | Burden of the shunt trip [VA]  |
| <b>L</b>                | Cable length   |
| $\rho$                  | Specific electrical resistance (copper is 0.0178) $\frac{\Omega \times \text{mm}^2}{\text{m}}$ |
| <b>U</b>                | Available trip voltage in the installation   |
| <b>U<sub>min</sub></b>  | Lowest permitted voltage for the shunt trip to operate   |
| <b>U<sub>drop</sub></b> | Maximum voltage drop permitted over the cable between the shunt trip and the AF0100            |
| <b>A</b>                | Cable cross section [mm <sup>2</sup> ]   |

### Example Values

$$\begin{aligned}
 \mathbf{S} &= 185 \text{ VA} & \mathbf{U}_{\min} &= 12 \text{ V} \\
 \rho &= 0.0178 \frac{\Omega \times \text{mm}^2}{\text{m}} \quad (\text{Copper Wire}) & \mathbf{A} &= 2.5 \text{ mm}^2 \\
 \mathbf{U} &= 24 \text{ V}
 \end{aligned}$$

### Calculation of the Permitted Cable-Voltage Drop

$$U_{\text{drop}} = U - U_{\min} = 24 \text{ V} - 12 \text{ V} = 12 \text{ V}$$

### Calculation of Nominal Trip Current

$$\begin{aligned}
 \mathbf{S} &= U \times I \\
 \mathbf{I} &= \frac{S}{U} = \frac{185 \text{ VA}}{24 \text{ V}} = 7.71 \text{ A}
 \end{aligned}$$

Note that the nominal trip current is calculated with the full 24 V. Due to voltage drop across the cable, the full trip voltage will not be present at the coil. When a lower voltage is available at the trip coil, the trip coil will operate with a lower current. This gives some additional safety margin.

### Calculation of Maximum Allowed Cable Resistance

$$\mathbf{R} = \frac{U_{\text{drop}}}{I} = \frac{12 \text{ V}}{7.71 \text{ A}} = 1.55 \Omega$$

### Calculation of Maximum Cable Length

$$\begin{aligned}
 \rho &= R \times \frac{A}{L} \\
 \mathbf{L} &= \frac{R \times A}{\rho} = \frac{1.04 \Omega \times 2.5 \text{ mm}^2}{0.0178 \frac{\Omega \times \text{mm}^2}{\text{m}}} = 217 \text{ m} / 2 = 108 \text{ m}
 \end{aligned}$$

The maximum distance between the AF0100 trip coil output and trip coil for above example is 108 m. If the AF0100 is installed far from the circuit breaker, higher voltage trip coils can be used to reduce the current draw and therefore the voltage drop on the wire.

### 3.2.2 Maximum Distance to Sensors

The maximum length of electrical cable between a PGA-LS10 point sensor and an AF0100 is 50 m.

The maximum length of electrical cable between a PGA-LS20/PGA-LS30 fiber-optic sensor and an AF0100 is 50 m to the transmitter module and 50 m to the receiver module.



## APPLICATION GUIDE

### 3.3 Redundant Trip Path

The AF0100 has a secondary solid-state circuit (shunt trip mode only) that provides redundancy in the event of a microprocessor failure. Less often considered, a microprocessor-based relay can take several hundred milliseconds to initialize and reach the state where it is able to detect an arc flash. If the system is de-energized for maintenance (including the AF0100) and then re-energized when the maintenance is complete, this constitutes a risk. A misplaced tool or incorrect wiring that was changed during shutdown could result in an arc flash immediately on power up. In this case, the redundant trip path will protect the system against arc flashes during initialization of the microprocessor as well, thus the system allows a much faster response time on power up than typical microprocessor-based relays. The response time after power up is less than 10 ms. In contrast, microprocessor initialization time can be in the order of 500 ms.

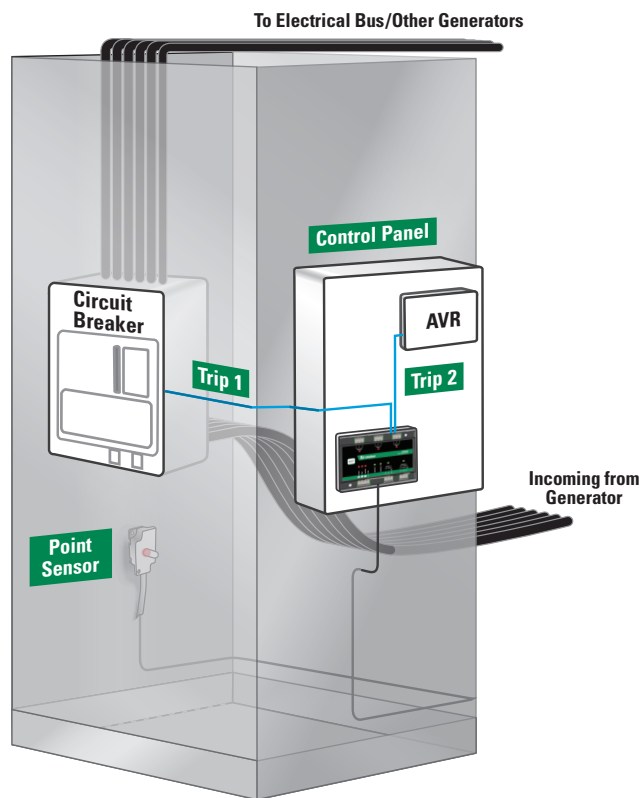
### 3.4 Sensor Placement

The AF0100 Arc-Flash Relay and sensors are easily installed in retrofit projects and new switchgear with little or no reconfiguration. Even elaborate systems with multiple power sources take only minutes to configure using the relay's built-in USB PC-interface software. (No need to install any configuration software on the PC)

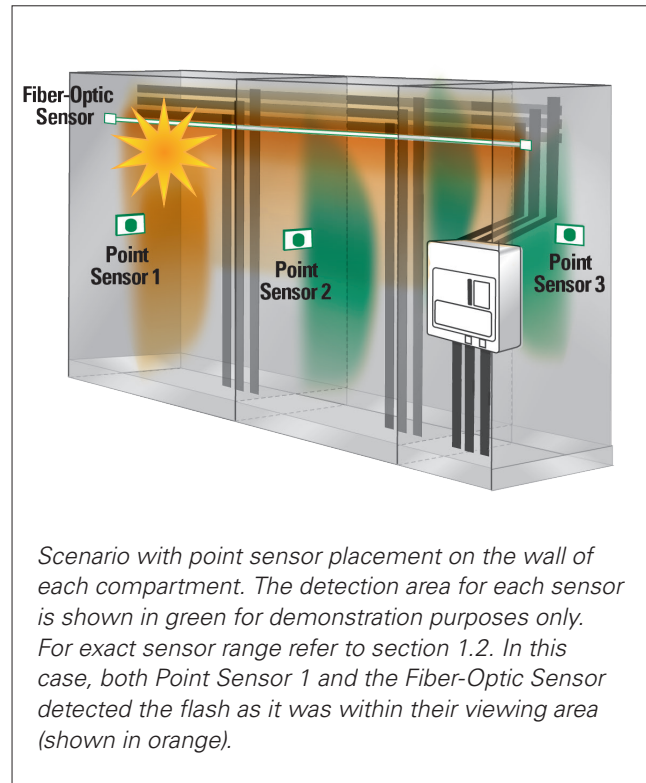
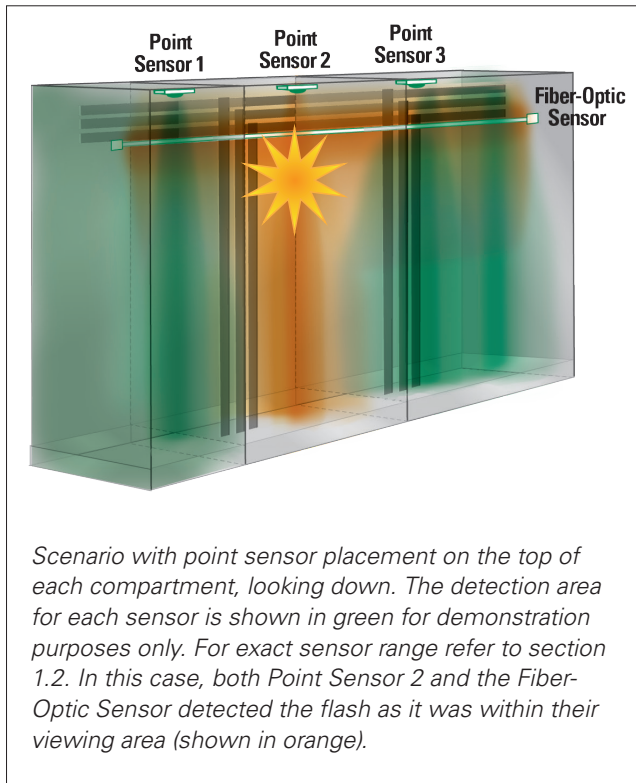
Threading a fiber-optic sensor through the cabinets and in areas where point-sensor coverage is uncertain results in complete coverage and an added level of redundancy (at least 20 cm per compartment, 60 cm recommended). Even if policy is to only work on de-energized systems, all maintenance areas should be monitored to prevent potential damage and additional costs. At least one sensor should have visibility of an arc fault in the event that someone were to block the other sensor(s).

#### Additional guidelines

- Ensure fiber-optic light sensors and electrical cables are not blocked by objects, either fixed or movable.
- Do not place point sensors or fiber-optic sensor on live or energized components.
- Choose a location that will minimize collection of foreign debris and be easy to inspect/maintain.
- Use care when handling, pulling, and securing electrical cables and sensors.
- Avoid sharp bends (<5 cm) and high temperature (>80°C).
- Consider potential light emitted from air-magnetic circuit breakers when placing sensors.
- Even though the sensors and electrical cables have no exposed live parts and are fully insulated, the placement and routing must comply with industry-standards for over-surface (creep) and through-air (clearance) requirements.
- Label equipment so that workers are aware that light detection technology is present. Avoid direct sunlight, flash photography and welding if the sensors are exposed and current inhibit is not used.



## APPLICATION GUIDE



### 3.4.1 Point Sensor Placement

The point-sensor (PGA-LS10) housing directs light from a half-sphere detection volume onto the light sensor. An arc flash can conduct tens of thousands of amps but, for an arc flash of only 3 kA, a PGA-LS10 has a half-sphere detection range of 2 m or more. A point sensor is apt at indicating the fault location because the light is only collected at one location. However, the requirement for direct line-of-sight can be a disadvantage in areas with a lot of equipment and poor sight lines. In most enclosures, the metallic walls can reflect the light onto the sensor, thereby amplifying the light incident on the sensor. However, walls create an extra safety issue — an arc flash in a location not directly visible by the sensor might not be detected.



*Examples of appropriate point sensor installation.*

The PGA-LS10 point sensors can be installed up to 50 m from the AF0100 Arc-Flash relay with standard shielded 3-wire electrical cable. This is a benefit for retrofit applications as electrical cable is more durable and easier to install than a fiber-only installation between sensor and relay. Electrical cable has high tolerance for electrical noise (although not as high as a fiber-optic sensor), and for the purposes of electrical clearances, should be treated as though it is a bare conductor at ground potential.

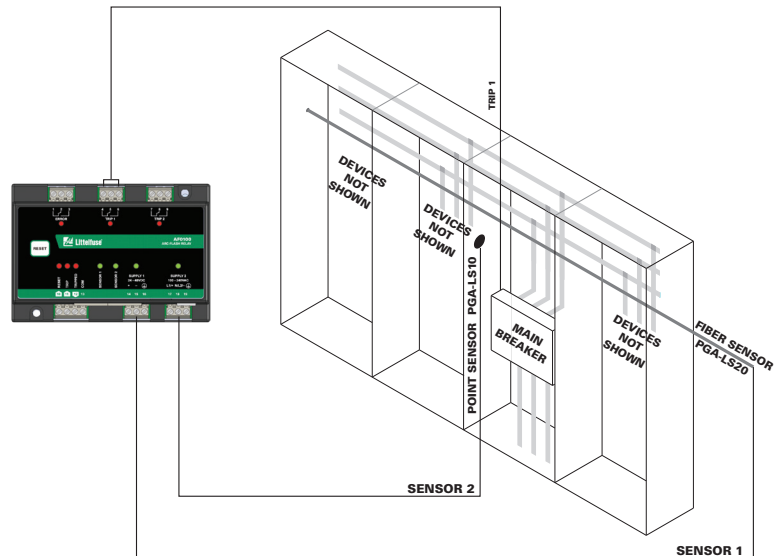
## APPLICATION GUIDE

### 3.4.2 Fiber-Optic Sensor Placement

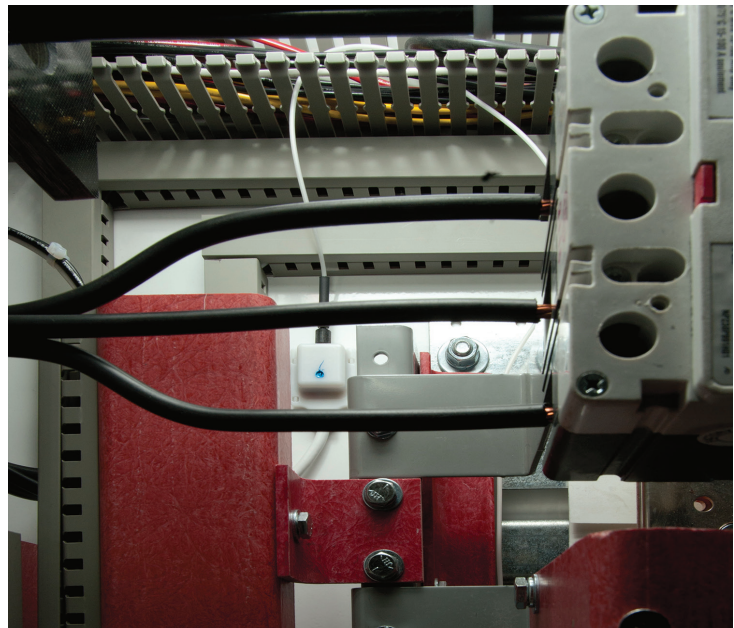
The fiber-optic sensor (PGA-LS20 and PGA-LS30) has three components. There is an optical fiber bundle, a transmitter and a receiver, to convert light collected by the fiber into an electric signal that can be sent to the relay. Unlike most fiber-optic sensors which transmit light from one end to the other without letting any light escape, the fiber-optic sensor is designed to trap light along its entire length and then prevent that light from escaping. One end of the fiber is shielded for 2 m (minimum) as light entering in this location will be detected more intensely (than the same light further down the sensor) which could cause incorrect measurement.

Transmitter and receiver modules can be installed up to 50 m from the AF0100. The fiber should not be in contact with bare conductors but can be run much closer than the electrical cables and point sensor, which can make it a better choice for small and dense spaces with lots of shadow and little clearance. The active lengths of the PGA-LS20 and PGA-LS30 are 8 m and 18 m respectively.

Make sure that at least 20 cm of fiber are exposed in each compartment, in order to collect sufficient light. Fibers must be handled with care as they are more fragile than electrical cable, have a minimum radius for curves, and may be damaged during installation. A fiber-optic sensor does not detect the exact location of an arc along the fiber, it just detects an arc. It may not be immediately clear where the arc-flash was detected if the sensor is passed through many compartments. However, passing the fiber-optic sensor through many small compartments may result in a significant cost savings as compared to using an individual point sensor in each compartment.



PGA-LS20 10m (8m active)  
 PGA-LS30 20m (18m active)



Example of appropriate fiber optic sensor installation.

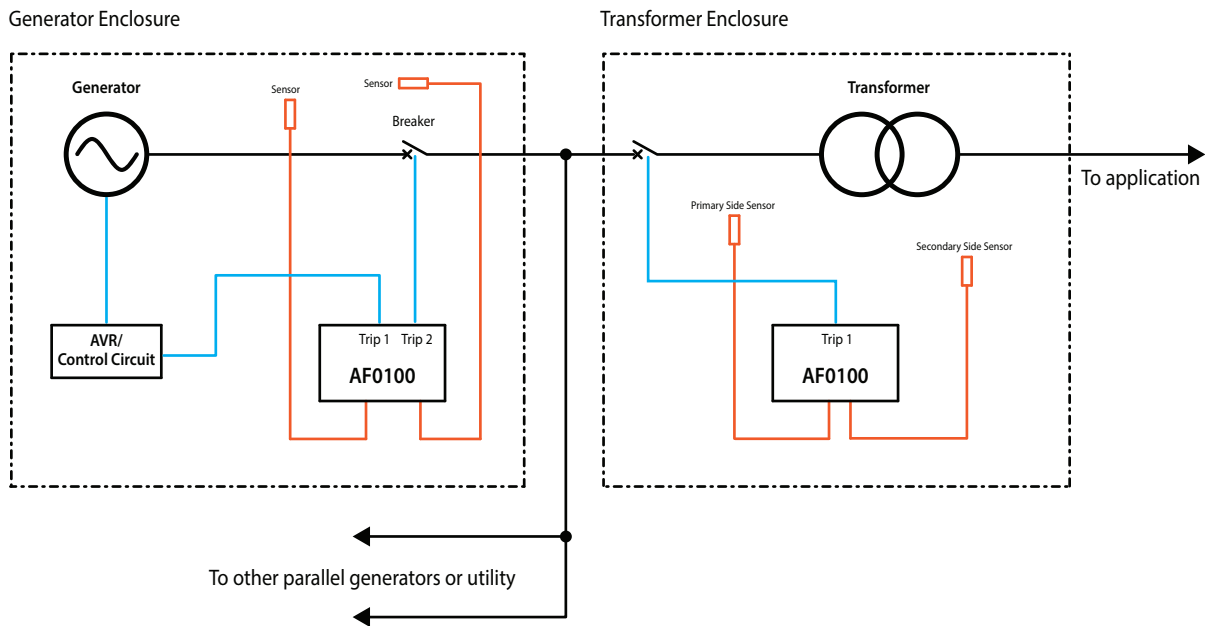
## APPLICATION GUIDE

### 4 EXAMPLES

#### 4.1 Generator Application

To protect a generator from an arc fault, the most critical section (because it is otherwise unprotected from any overcurrent device) is between the generator and the generator breaker. A fault on this location, upstream of the generator breaker, will be supplied directly from the generator as well as from any connected sources in parallel, such as other generators and/or the utility. Sensors are mounted to monitor these sections and the AF0100 is connected to the automatic voltage regulator (AVR) or a control circuit in order to power down the generator and to the generator breaker to prevent any parallel sources from maintaining the arc flash.

Protecting an enclosed transformer from an arc flash usually means one sensor monitoring the primary side and another monitoring the secondary side. There must be an upstream device to trip. In this example, the transformer does have a breaker that can be opened in case of an arc, but otherwise, the AF0100 would connect to each generator arc-flash relay using its digital I/O to shut down all energy sources to the arc.

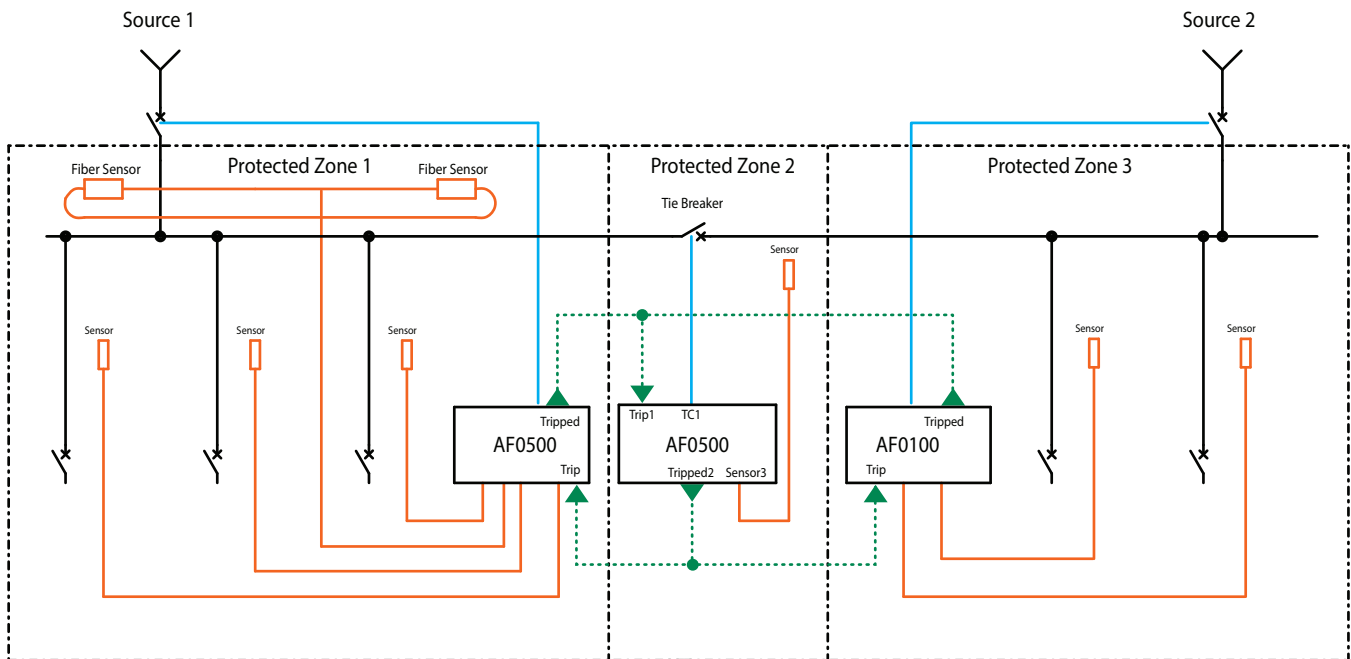


## APPLICATION GUIDE

### 4.2 Main-Tie-Main Application

In case a switchboard is divided into separate sections by tie or coupler circuit breaker and fed by more than one incoming feeder, it can be advantageous to disconnect only the switchboard section where the arc is present, while leaving the other sections online. In this case it is not enough to trip the incoming feeder alone. The tie breaker must be tripped as well in order to isolate the section with the arc fault from the rest of the system. In the event of a fault at the tie breaker, both incoming feeders must be tripped. The single-line diagram shows an application with two incoming feeders and a tie breaker. All sensors are downstream of the circuit breakers. If an arc is detected on either side of the tie circuit breaker, the respective feeder circuit breaker and the tie circuit breaker will be tripped.

This example shows a system utilizing AF0100 and AF0500 relays connected through digital I/O to ensure that the correct breakers trip for each of the three protection zones.



## APPLICATION GUIDE

### APPENDIX A: SUPPORTING MATERIALS

Littelfuse provides many supporting materials in digital format for the function and installation of the AF0100 Arc-Flash Relay.

**Manual**  
**Datasheet**  
**FAQ Booklet**

**Brochure**  
**Videos**  
**Guideform Specifications**

**Workbook for Estimating Arc-Flash Incident Energy Reduction**

These can be found at: [Littelfuse.com/ArcFlash](http://Littelfuse.com/ArcFlash)

### AF0100 COMMISSIONING INFORMATION

| General Installation Settings                | Minimum              | Default                | Max    | Unit | Comments   |
|--|----------------------|------------------------|--------|------|--|
| Date Installed                               |                      |                        |        |      |  |
| Operator                                     |                      |                        |        |      |  |
| Comment 1                                    |                      |                        |        |      |  |
| Comment 2                                    |                      |                        |        |      |  |
| <b>General</b>                               |                      |                        |        |      |  |
| System Name                                  |                      |                        |        |      |  |
| Description Of This Unit                     |                      | AF0100 Arc-Flash Relay |        |      |  |
| Date and Time                                |                      |                        |        |      |  |
| Synchronize to PC Clock                      |                      | Disabled               |        |      | <input type="checkbox"/> Enabled <input type="checkbox"/> Disabled   |
| <b>Light Sensors</b>                         |                      |                        |        |      |  |
| Common Settings                              |                      |                        |        |      |  |
| Light Immunity Lower Limit                   | 10                   | 10                     | 25     | klux | _____klux  |
| Arc Detection Time Before Tripping           | 0<br>(Effective 0.8) | 1                      | 20,000 | ms   | _____ms  |
| <b>Light Sensor 1</b>                        |                      |                        |        |      |  |
| Sensor Status                                |                      |                        |        |      | <input type="checkbox"/> Sensor Present <input type="checkbox"/> Sensor Missing<br><input type="checkbox"/> No Sensor Detected <input type="checkbox"/> Sensor Tripped |
| Sensor Description                           |                      | Sensor 1               |        |      |  |
| Change Configuration                         |                      | No Change              |        |      | <input type="checkbox"/> No Change <input type="checkbox"/> Sensor Expected<br><input type="checkbox"/> No Sensor Expected   |
| <b>Light Sensor 2</b>                        |                      |                        |        |      |  |
| Sensor Status                                |                      |                        |        |      | <input type="checkbox"/> Sensor Present <input type="checkbox"/> Sensor Missing<br><input type="checkbox"/> No Sensor Detected <input type="checkbox"/> Sensor Tripped |
| Sensor Description                           |                      | Sensor 2               |        |      |  |
| Change Configuration                         |                      | No Change              |        |      | <input type="checkbox"/> No Change <input type="checkbox"/> Sensor Expected<br><input type="checkbox"/> No Sensor Expected   |
| <b>Configuration of Failsafe/NFS Outputs</b> |                      |                        |        |      |  |
| Trip 1                                       |                      | Failsafe               |        |      | <input type="checkbox"/> Failsafe <input type="checkbox"/> Non-Failsafe  |
| Trip 2                                       |                      | Failsafe               |        |      | <input type="checkbox"/> Failsafe <input type="checkbox"/> Non-Failsafe  |
| Error  |                      | Failsafe               |        |      | <input type="checkbox"/> Failsafe <input type="checkbox"/> Non-Failsafe  |



## APPLICATION GUIDE

### NOTES

**For more information, visit  
[Littelfuse.com/ArcFlash](https://www.littelfuse.com/ArcFlash)**



Additional technical information and application data for Littelfuse protection relays, generator and engine controls, fuses and other circuit protection and safety products can be found on **Littelfuse.com**. For questions, contact our Technical Support Group (**800-832-3873**). Specifications, descriptions and illustrative material in this literature are as accurate as known at the time of publication, but are subject to changes without notice. All data was compiled from public information available from manufacturers' manuals and datasheets.