

# CABLEPRO® CABLE PROTECTOR FUSES RATED 32V

Available in AWG and metric cables

**RoHS**



## Description

The CABLEPRO® fuse is designed to replace conventional wire fusible links in high current automotive applications. The slim package of the CABLEPRO® and the predictable and reliable performance characteristics (similar to MEGA® fuse) make this far superior over wire fusible links. Interrupting rating 2000A @ 32 VDC. CablePro is not a sealed product. To seal it a shrink tube should be used.

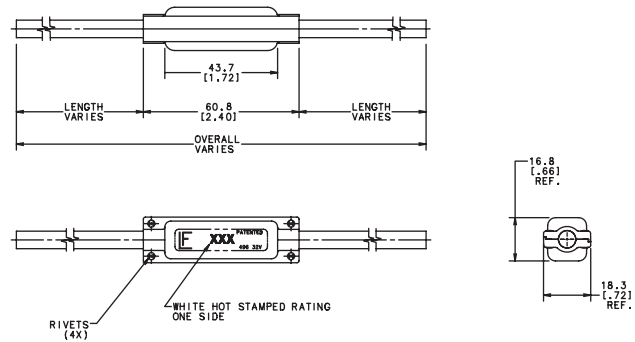
## Specifications

|                              |   |
|------------------------------|---|
| Voltage Rating:              | 32 VDC  |
| Cable Types Available        | SAE J1127 STX , SAE J1128 TXL ,<br>ISO6722: Type FL2G |
| Interrupting Rating:         | 2000A @ 32 VDC  |
| Operating Temperature Range: | -40°C to + 125°C                                      |

Available with UL recognized in 60A, 100A, 150A, 200A at 32V

## Dimensions

Dimensions in mm



## Time-Current Characteristics

| % of Rating | Opening Time Min / Max (s) |
|-------------|----------------------------|
| 100         | 360,000 s / -              |
| 135         | 120 s / 1800 s             |
| 200         | 10 s / 300 s               |
| 350         | 1 s / 15 s                 |
| 600         | 0.30 s / 5 s               |

## Ratings

| Part Number | Current Rating | Wire Size    | Cold Resistance | I²t |
|-------------|----------------|--------------|-----------------|-----|
| 0496060_1   | 60 A           | 5mm² (10AWG) | 0.920 mΩ        | -   |
| 0496080_    | 80 A           | 8mm² (8AWG)  | 0.689 mΩ        | -   |
| 0496100_1   | 100 A          | 8mm² (8AWG)  | 0.460 mΩ        | -   |
| 0496125_    | 125 A          | 13mm² (6AWG) | 0.390 mΩ        | -   |
| 0496150_1   | 150 A          | 19mm² (4AWG) | 0.346 mΩ        | -   |
| 0496175_    | 175 A          | 19mm² (4AWG) | 0.268 mΩ        | -   |
| 0496200_1   | 200 A          | 19mm² (4AWG) | 0.173 mΩ        | -   |
| 0496200_1   | 200 A          | 25mm²        | -               | -   |

Note 1: Short circuit protectors only.  
Contact Littelfuse for complete part numbers.