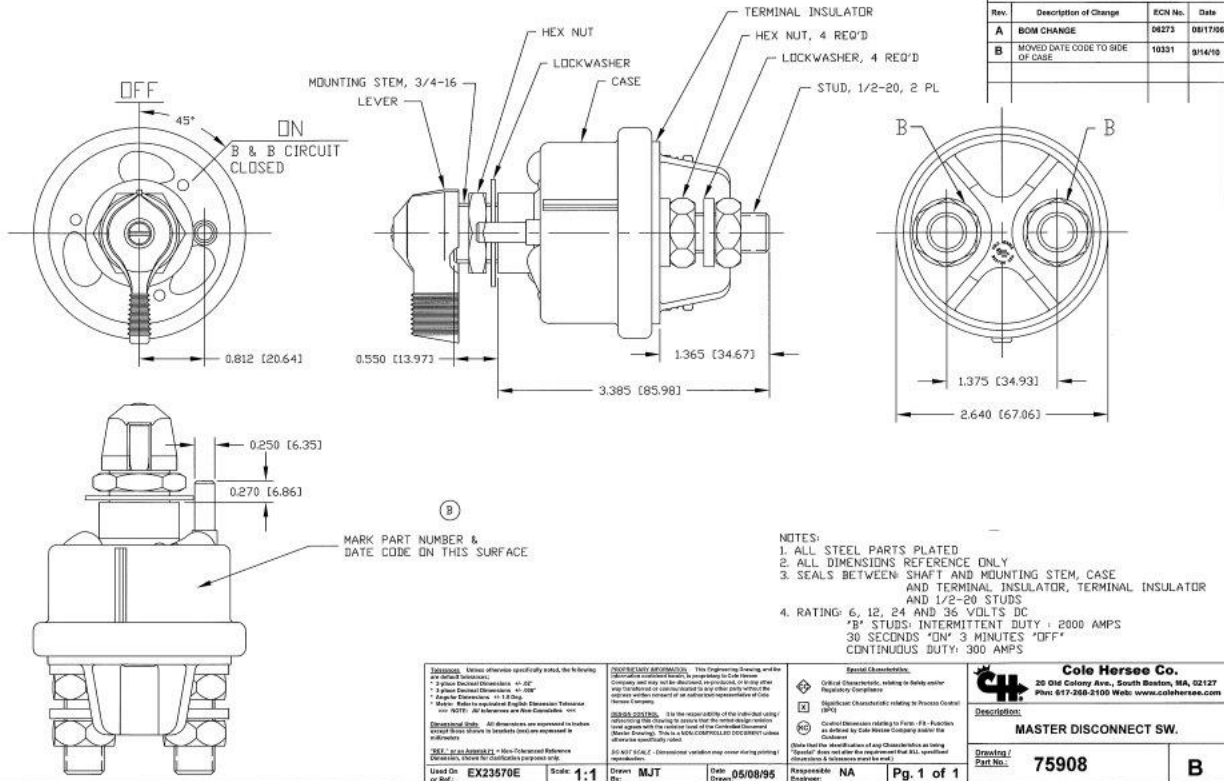


## Revision Control Record

Rev.	Description of Change	ECN No.	Date
A	BOM CHANGE	06273	08/17/06
B	MOVED DATE CODE TO SIDE OF CASE	10331	9/14/10



**TERMINALS:** Unless otherwise specifically noted, the following are actual dimensions:

- 3 phase Disconnect: 40-02C
- 1 phase Disconnect: 40-100F
- Single Pole Disconnect: 40-100F
- Single Pole Disconnect: 40-100F

\* Specify Refer to separate English Dimension Tables and NOTE: All references are Non-Canadian, UN

**Dimensional Data:** All dimensions are expressed in inches except those shown in brackets (mm) are expressed in millimeters

**30% TYPICAL DIMENSIONS:** Non-Canadian Reference Dimensions, shown for clarity purposes only

Used On / Ref: EX23570E

Scale: 1:1

**30% TYPICAL DIMENSIONS:** This Engineering Drawing, and the information contained herein, is prepared by Cole Hersee Company and may not be disclosed, reproduced, or in any other way be referred to or constructed to any other party without the express written consent of an authorized representative of Cole Hersee Company.

**DESIGN CONTROL:** It is the responsibility of the individual using/interpreting this drawing to assure that the intent design-revision level agrees with the revision level of the Controlled Document (Master Drawing). This is a NON-COMPLEXED DOCUMENT unless otherwise specifically noted.

30 NOT SCALE: Dimensional variation may occur during printing/production.

Drawn By: MJT

Date: 05/08/95

## Special Characteristics

Control Characteristics, relating to Safety and/or Regulatory Compliance

Significant Characteristics relating to Process Control (PPC)

Control Characteristics relating to Form, Fit & Function as defined by Cole Hersee Company and/or the Customer

Note that the identification of any Characteristics as being "Special" does not alter the requirement that ALL specified characteristics & tolerances must be met.

Reasonable: NA

Page 1 of 1

**Cole Hersee Co.**  
 20 Old Colony Ave., South Boston, MA, 02127  
 Phone: 617-268-2100 Web: www.colehersee.com

Description: MASTER DISCONNECT SW.

Part No.: 75908

Engineer: B