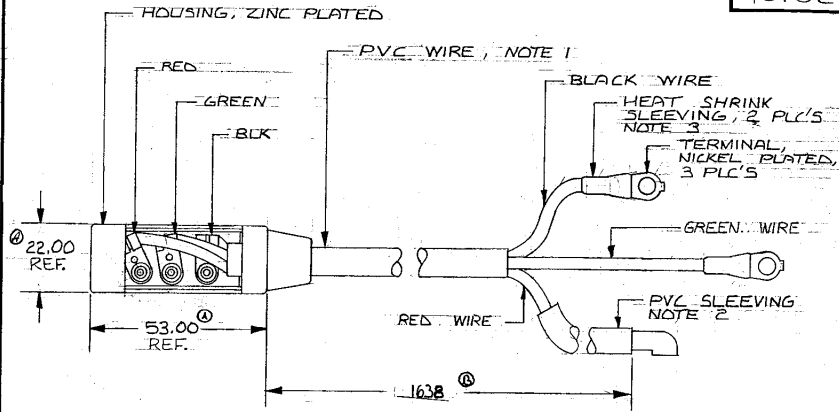


1M IN  
 2.00.866  
 3.00.2.086  
 52.80.69.000

40102



- NOTE :
1. WIRE SIZE 14 GA. SAE RED, GREEN AND BLACK WIRES WITH PVC OUTER JACKET
  2. PVC SLEEVING INSIDE DIA 6 mm OUTSIDE DIA 8 mm
  3. HEAT SHRINK SLEEVING 20 mm LONG

Confidential Property of Cole Hersee

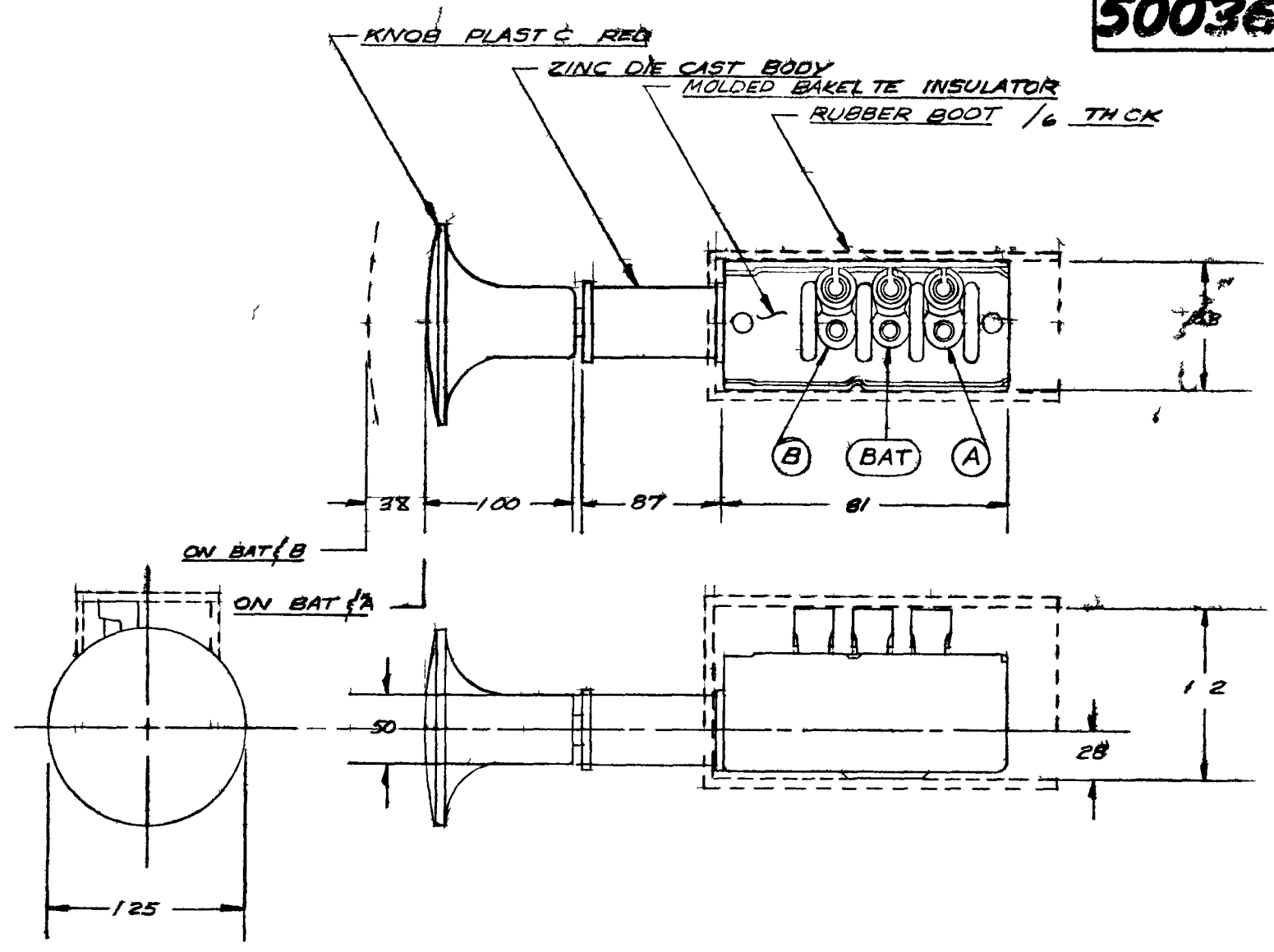
DO NOT SCALE

LET.	WAS	DATE	BY	LET	WAS	DATE	BY	MATERIAL	DRAWN	CHECKED	APPROV'D	SCALE	DATE DRAWN	
								—	LIZ			1:1	5-27-88	
								FINISH					DATE BLUEPRINT	
				B	REN	01477	3/2/01							
				A	REN	28989	3/22/01							
						ISSUED	9/22/01							
<p>TOLERANCES            DECIMAL ±            METRIC ±</p>												<p>CH: Cole Hersee Co.  <small>PLASTIC PARTS DIVISION, BOSTON, MA, U.S.A.</small></p>	<p>SHIFT CONNECTOR &amp;            HARNESS ASSY</p>	<p>40102</p>

20

50036

COLE HERSEE CO

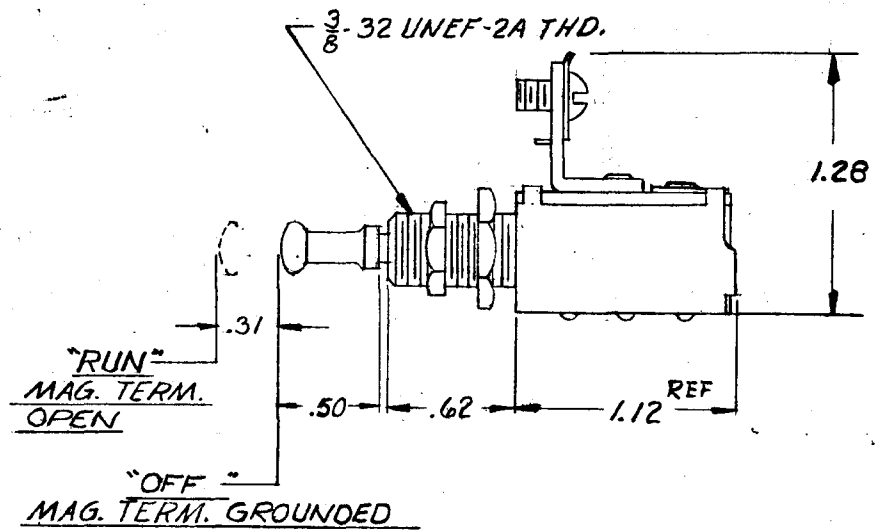
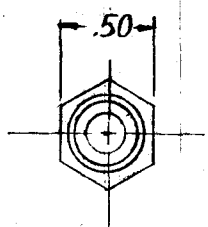
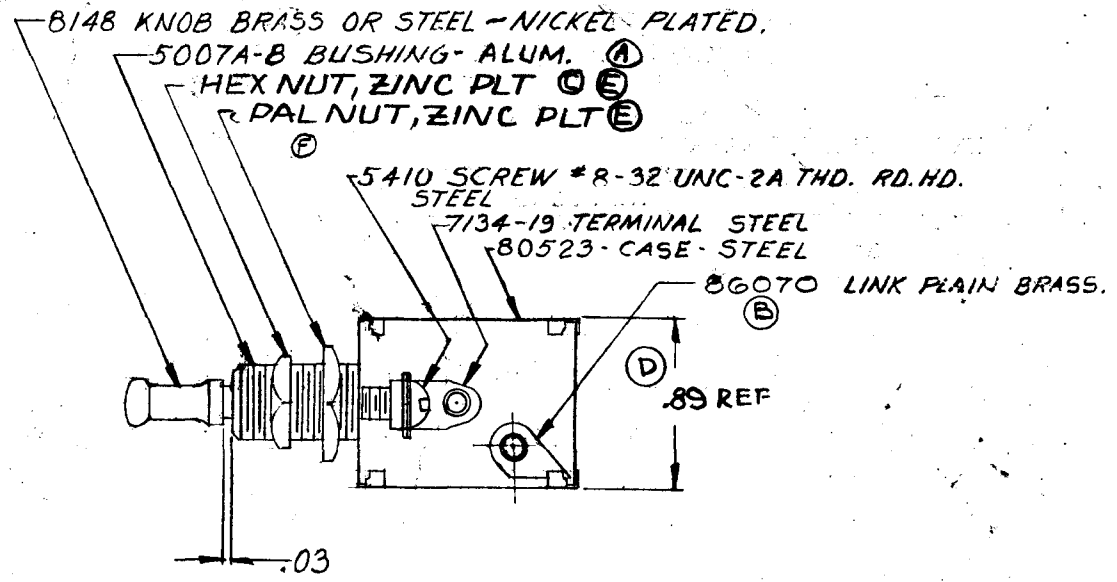


LE	AD	TE	LET	DATE	TE AL	M	GB	TE
					X			2 5 59
					SH	COLE HERSEE COMPANY OSTON M S. A.		TE BU
			RELEASED	59 S	FR	SHIFT CONTROL SW 50036		

COLE-HERSEE CO.

50203

Ⓒ NOTE:  
ALL STEEL PARTS PLATED



LET	WAB	DATE	BY	LET	WAB	DATE	BY	MATERIAL	DRAWN	CHECKED	APPR'D	SCALE	USED ON	DATE DRAWN
				D	.87	117578	1-11-72	RF	NOTED	C.F.S.		FULL		1-2-63
				C	8319	17310	6-22-71	RF	FINISH					DATE ISSUED
G	NOTE ADDED/ 25234	12/22/91	TJH	B	5007A-12	16071	3-7-66	C	NOTED				COLE-HERSEE COMPANY BOSTON 27, MASS., U. S. A.	
F	ECN 24528	4/8/92	JH	A	BRASS	14170	6-29-64	S	TOLERANCES	NAME			MAGNETO PUSH-PULL SWITCH	PART NO. 50203
E	REV/20975	10-15-80	Ⓒ		ISSUED		11-4-63	S	FRACTIONAL ±					
									DECIMAL ± .010					