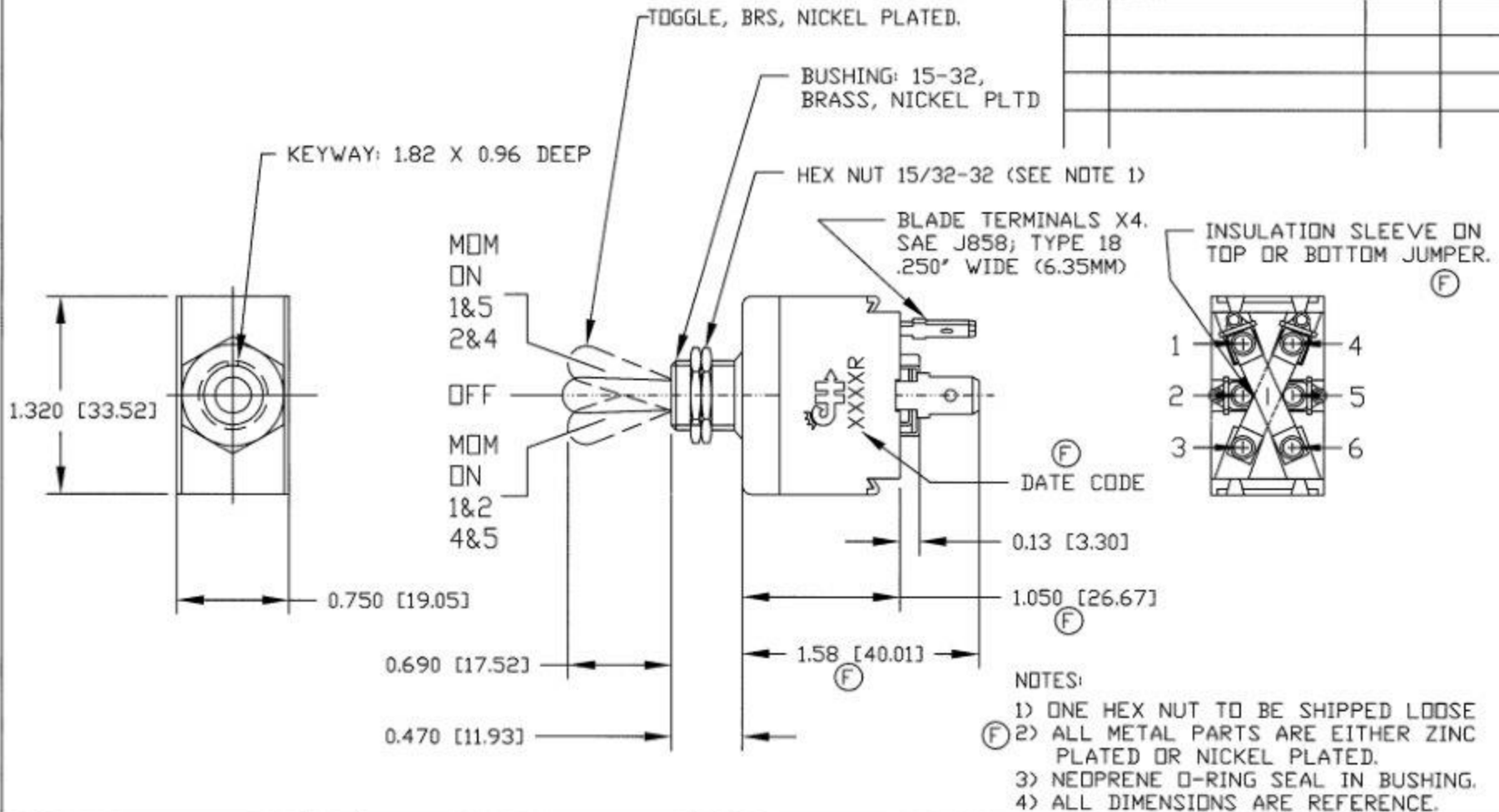


Revision Control Record

Rev.	Description of Change	ECN No.	Date
F	PUT ON CAD	11128	04/20/11



Tolerances Unless otherwise specifically noted, the following are default tolerances:

2-places +/- 0.02" 3-places +/- 0.005" Angular +/- 1°

Metric: Shown in [] refers to equivalent English Dim Tol

"REF." or an Asterisk (*) = Non-Toleranced Reference Dimension, shown for clarification purposes only.

NOTE: All tolerances are Non-Cumulative.

PROPRIETARY INFORMATION
This Engineering Drawing, and the information contained herein, is proprietary to Cole Hersee Company and may not be disclosed, re-produced, or in any other way transferred or communicated to any other party without the express written consent of an authorized representative of Cole Hersee Company.

Special Characteristics:

- Critical Characteristic, relating to Safety and/or Regulatory Compliance
- Significant Characteristic relating to Process Control
- Control Dimension relating to Form-Fit - Function as defined by Cole Hersee Company and/or the Customer



Cole Hersee Co.

20 Old Colony Ave., South Boston, MA, 02127
Phn: 617-268-2100 Web: www.colehersee.com

Description:

SWITCH, TOGGLE . REVERSING

Drawing / Part No.:

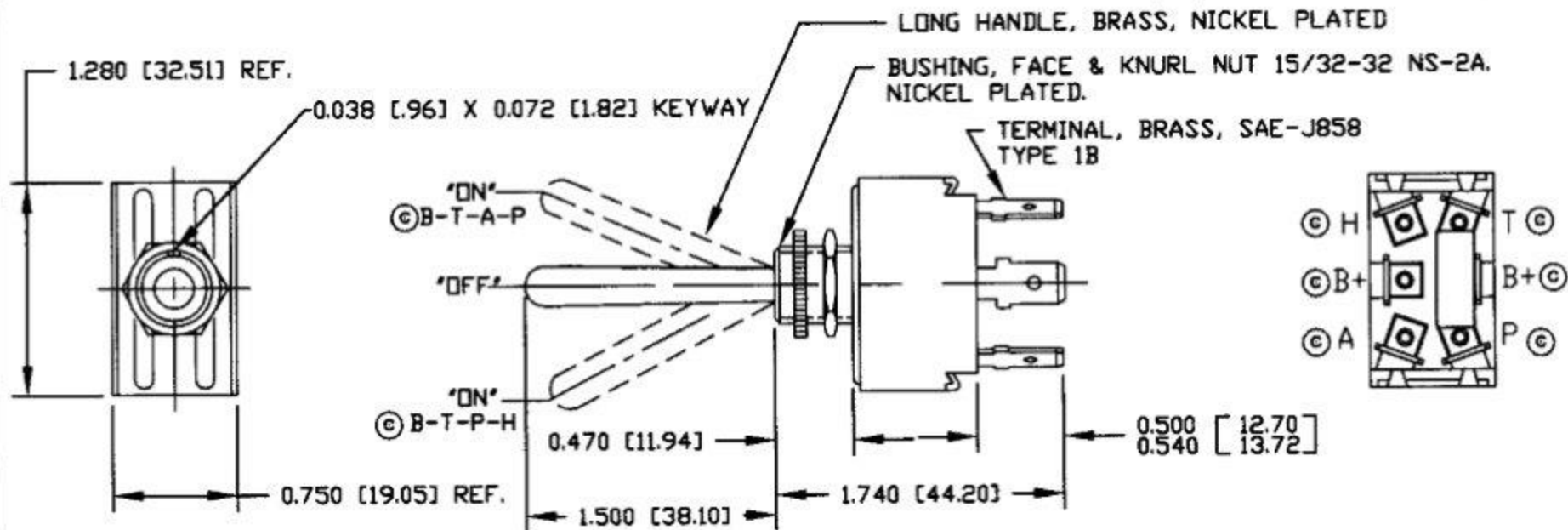
55046-03

Current Rev.

F

Revision Control Record

Rev.	Description of Change	ECN No.	Date
C	ADD POSITIONS NOTES	04299	08/13/04



- NOTES:**
- 25 AMPS, 12 VOLTS D.C., EXTRA HEAVY DUTY
 - SILVER CONTACT SURFACES
 - © ALL DIMENSIONS ARE REFERENCE

Tolerances. Unless otherwise specifically noted, the following are default tolerances:
 * 3-place Decimal Dimensions $\pm .02"$
 * 3-place Decimal Dimensions $\pm .005"$
 * Angular Dimensions ± 1.0 Deg.
 * Metric: Refer to equivalent English Dimension Tolerance
 *** NOTE: All tolerances are Non-Cumulative. ***

Dimensional Units. All dimensions are expressed in inches except those shown in brackets (xxx) are expressed in millimeters

"REF." or an Asterisk (*). = Non-Toleranced Reference Dimension, shown for clarification purposes only.

PROPRIETARY INFORMATION. This Engineering Drawing, and the information contained herein, is proprietary to Cole Hersee Company and may not be disclosed, re-produced, or in any other way transferred or communicated to any other party without the express written consent of an authorized representative of Cole Hersee Company.

DESIGN CONTROL. It is the responsibility of the individual using / referencing this drawing to ensure that the noted design revision level agrees with the revision level of the Controlled Document (Master Drawing). This is a NON-CONTROLLED DOCUMENT unless otherwise specifically noted.

DO NOT SCALE. Dimensional variation may occur during printing / reproduction.

Special Characteristics...

- Critical Characteristic, relating to Safety and/or Regulatory Compliance
- Significant Characteristic relating to Process Control (SPC)
- Key Characteristic relating to Form - Fit - Function as defined by Cole Hersee Company and/or the Customer

(Note that the identification of any Characteristics as being "Special" does not alter the requirement that ALL specified dimensions & tolerances must be met.)



Cole Hersee Co.

20 Old Colony Ave., South Boston, MA, 02127
 Ptn: 617-266-2100 Web: www.colehersee.com

Description: TOGGLE SWITCH
 ON-OFF-ON, D.P.D.T.

Drawing / Part No.: 55064

Current Rev.: C

Used On or Ref.: EX15335A

Scale: 1:1

Drawn By: RW

Date Drawn: 05/04/70

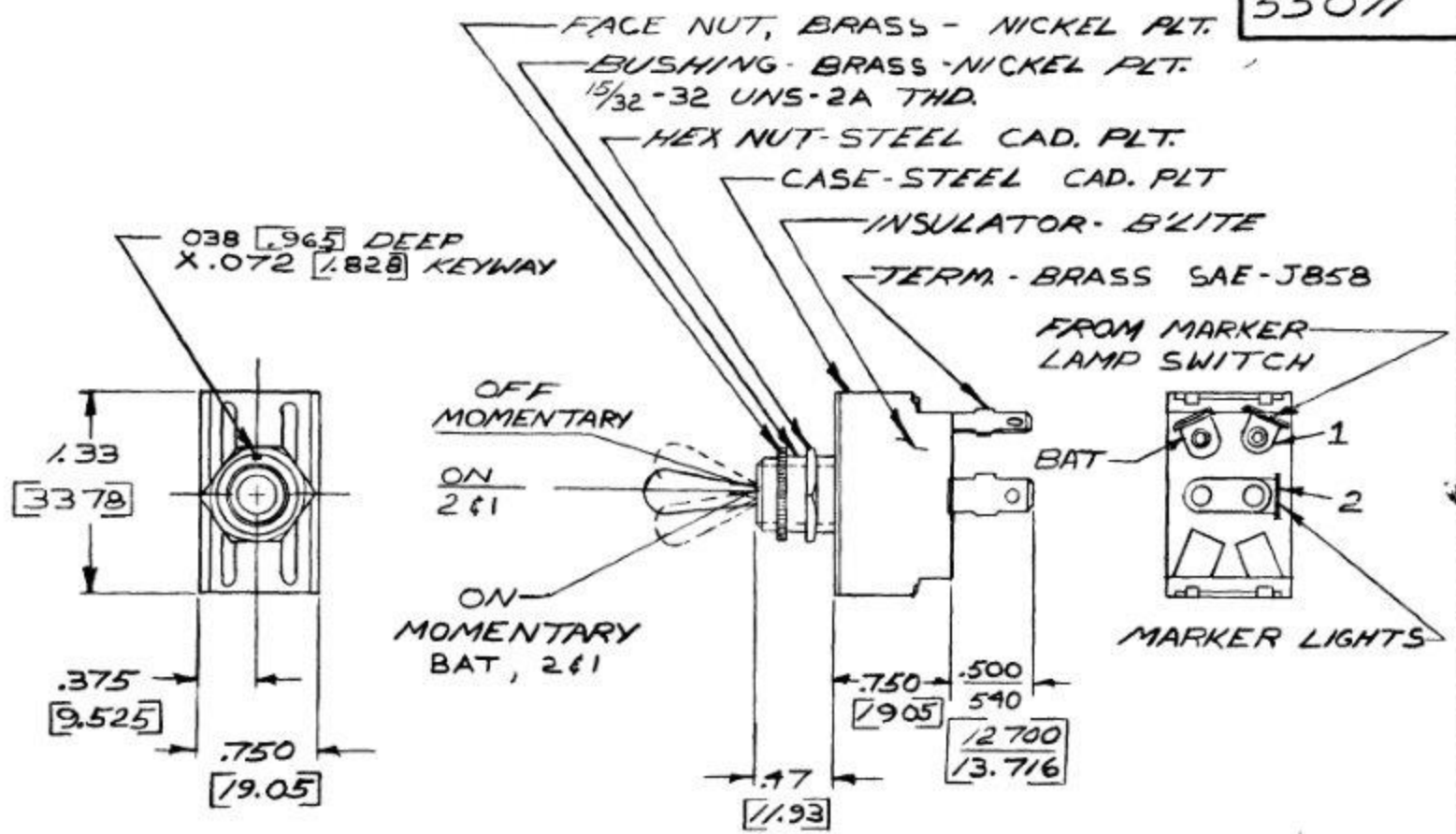
Responsible Engineer:

Pg. 1 of 1

COLE-HERSEE CO. N.P.M. 2-11-74

MP 60340 EX16855

55071



NOTE:
 (A) SILVER CONTACT SURFACES

25 AMPS @ 12 VDC

TERM.	DESCRIPT.
1	MARKER LAMP SW.
2	MARKER LAMPS

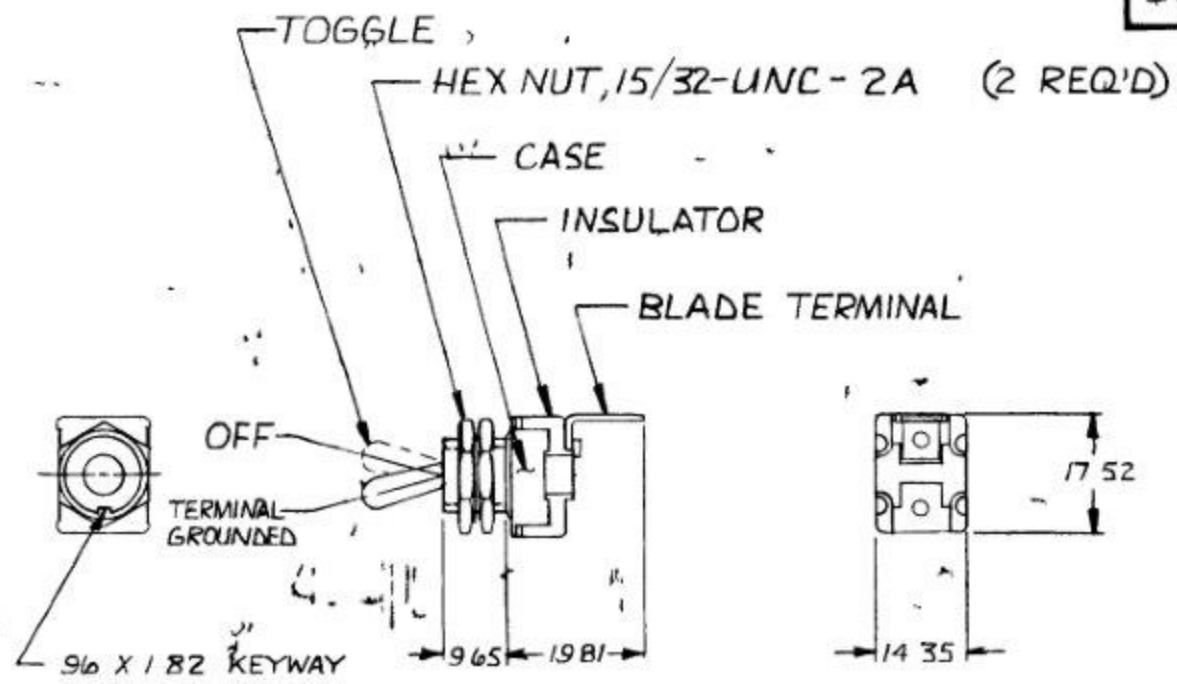
DO NOT SCALE

ET	WAS	DATE	BY	LET	WAS	DATE	BY	MATERIAL	DRAWN	CHECKED	APPROV'D	SCALE	DATE DRAWN
								#	E	1/24/74		FULL	2-19-74
								FINISH	COLE-HERSEE COMPANY				DATE BLUEPRINT
								#	BOSTON, MASS 02127, U.S.A.				
				A	ADD NTC/75432	9/12/13	JH	TOLERANCES	MARKER LAMP				55071
					ISSUED	2-14-74	F	FRACTIONAL ±	TOGGLE SWITCH				
								DECIMAL ±.01					

MAA 1M
 25 010
 96 038
 182 072
 965 380
 1435 565
 1752 690
 1981 780

55089

EX19154



NOTE
1 ALL STEEL PARTS PLATED

METRIC

DO NOT SCALE

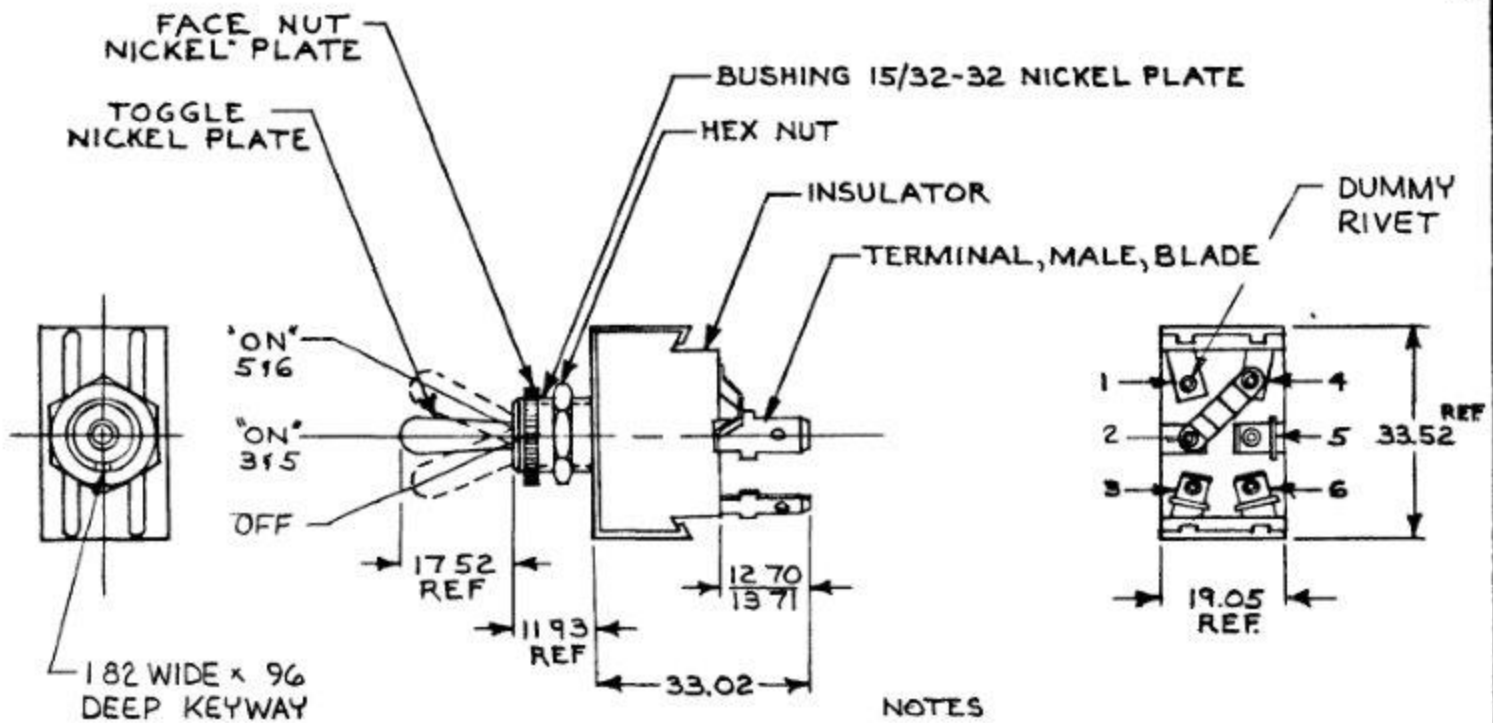
LET	WAS	DATE	BY	LET	WAS	DATE	BY	MATERIAL	DRAWN	CHECKED	APPR'D	SCALE	DATE DRAWN
								—H—	RG	Rgt		1:1	11-19-80
								FINISH	 Cole Hersee Co. <small>INC. 1904 NO. 5017 90 DE WA. U.S.P.</small>				DATE BLUEPRINT
								—H—					
								TOLERANCES	SP-ST TOGGLE SWITCH				55089
								DECIMAL ±					
								METRIC ± .25					

CH 188(4 78)

55093

MM IN
 .96 .038
 1.82 .072
 11.93 .470
 12.70 .500
 13.71 .540
 17.52 .690
 19.05 .750
 33.02 1.300
 33.52 1.320

EX 22308



- NOTES
- 1 HEAVY DUTY
 - 2 SILVER CONTACTS
 - 3 25 AMPS @ 12 VDC LAMP LOAD
 - 4 ALL STEEL PARTS PLATED

METRIC

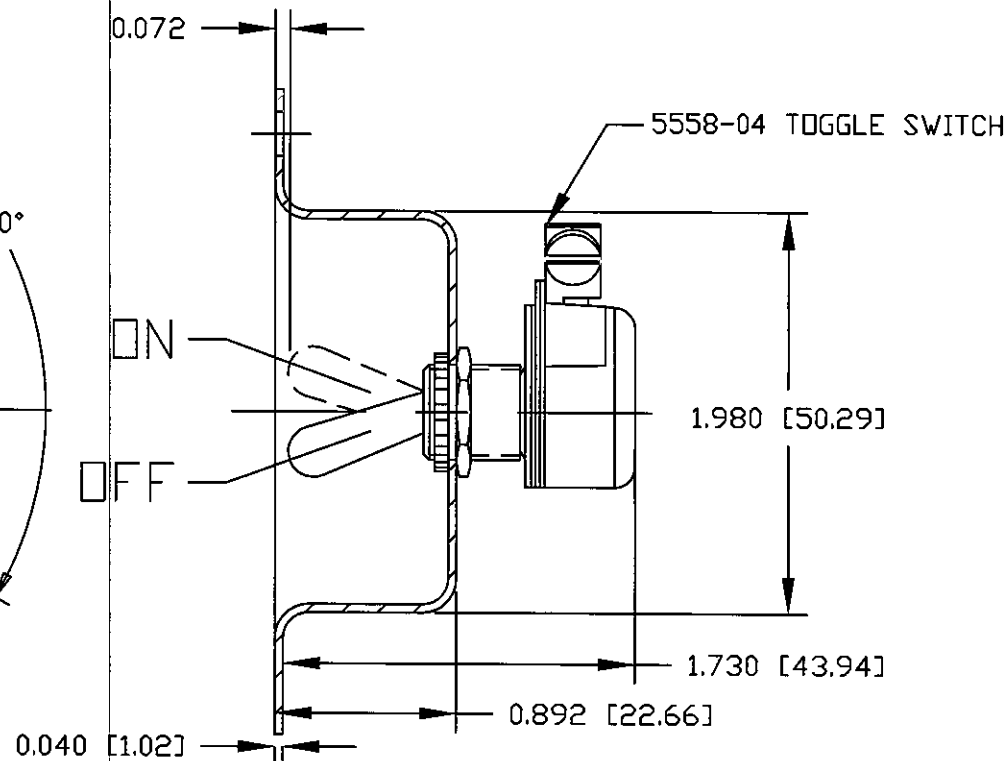
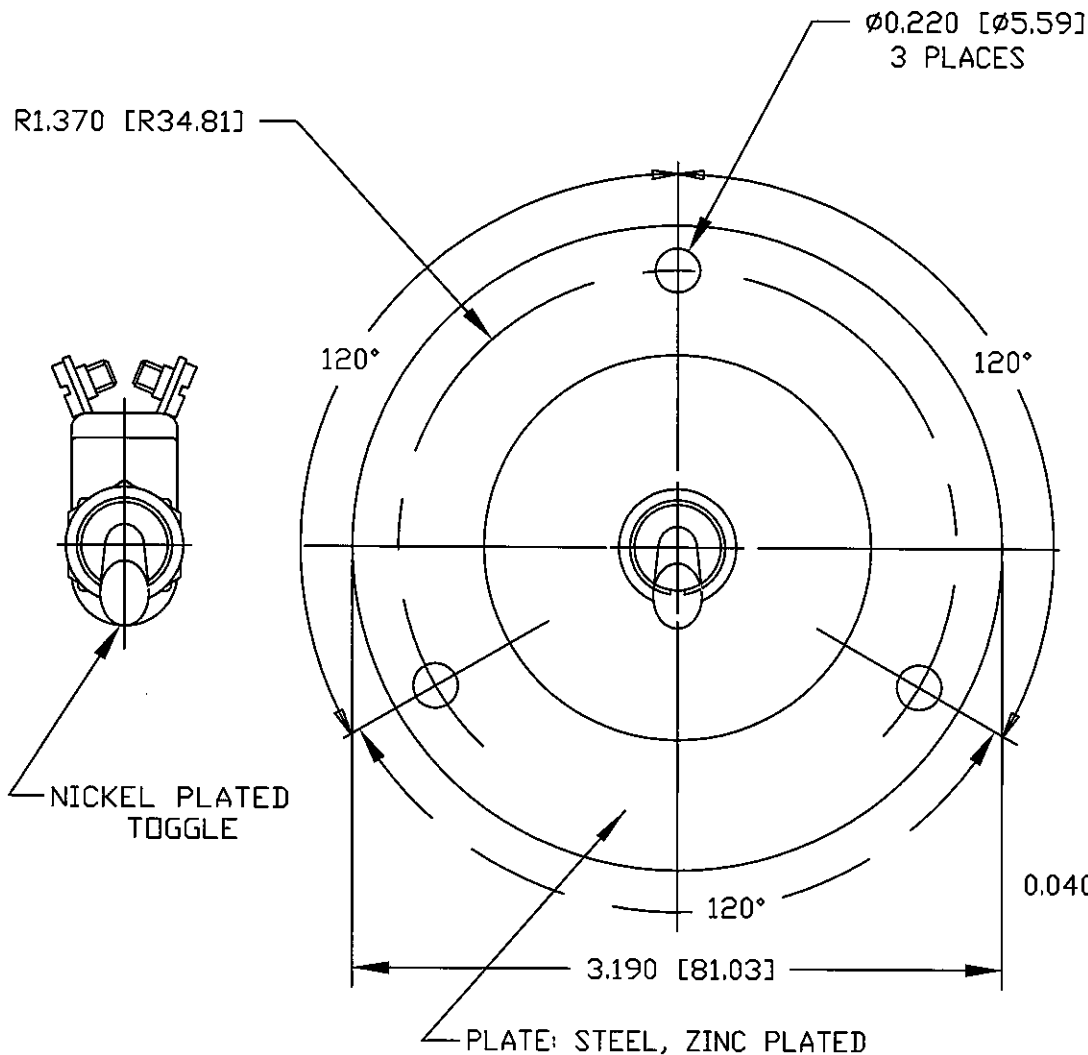
DO NOT SCALE

LET	WAS	DATE	BY	LET	WAS	DATE	BY	MATERIAL	DRAWN	CHECKED	APPROVED	SCALE	DATE DRAWN
								K	20	(Signature)		1:1	3-2-87
								FINISH					DATE BLUEPRINT
								TOLERANCES	 SWITCH, TOGGLE 3 POS				55093
							DECIMAL ±						
								METRIC ±					
								ISSUED					
								3-9-87					

CH-188(4-78)

Revision Control Record

Rev.	Description of Change	ECN No.	Date
G	PUT ON CAD	08179	03/27/08



NOTE:
 1. ALL STEEL PARTS PLATED
 2. ALL DIMENSIONS ARE REFERENCE ONLY
 3. ALL PARTS ARE ASSEMBLED

Tolerances Unless otherwise specifically noted, the following are default tolerances:
 • 2-place Decimal Dimensions +/- .02"
 • 3-place Decimal Dimensions +/- .005"
 • Angular Dimensions +/- 1.0 Deg.
 • Metric: Refer to equivalent English Dimension Tolerance
 >>> NOTE: All tolerances are Non-Cumulative. <<<

Dimensional Units All dimensions are expressed in inches except those shown in brackets (xxx) are expressed in millimeters

"REF." or an Asterisk (*) = Non-Toleranced Reference Dimension, shown for clarification purposes only.

PROPRIETARY INFORMATION This Engineering Drawing, and the information contained herein, is proprietary to Cole Hersee Company and may not be disclosed, re-produced, or in any other way transferred or communicated to any other party without the express written consent of an authorized representative of Cole Hersee Company.

DESIGN CONTROL It is the responsibility of the individual using / referencing this drawing to assure that the noted design revision level agrees with the revision level of the Controlled Document (Master Drawing). This is a NON-CONTROLLED DOCUMENT unless otherwise specifically noted.

DO NOT SCALE - Dimensional variation may occur during printing / reproduction.

Special Characteristics:

- Critical Characteristic, relating to Safety and/or Regulatory Compliance
- Significant Characteristic relating to Process Control (SPC)
- Key Characteristic relating to Form - Fit - Function as defined by Cole Hersee Company and/or the Customer

(Note that the identification of any Characteristics as being "Special" does not alter the requirement that ALL specified dimensions & tolerances must be met.)



Cole Hersee Co.

20 Old Colony Ave., South Boston, MA, 02127
 Phn: 617-268-2100 Web: www.colehersee.com

Description:

5543

Drawing / Part No.:

TOGGLE SW. ASSY.

Current Rev.:

G

Used On or Ref.:

Scale: **1:1**

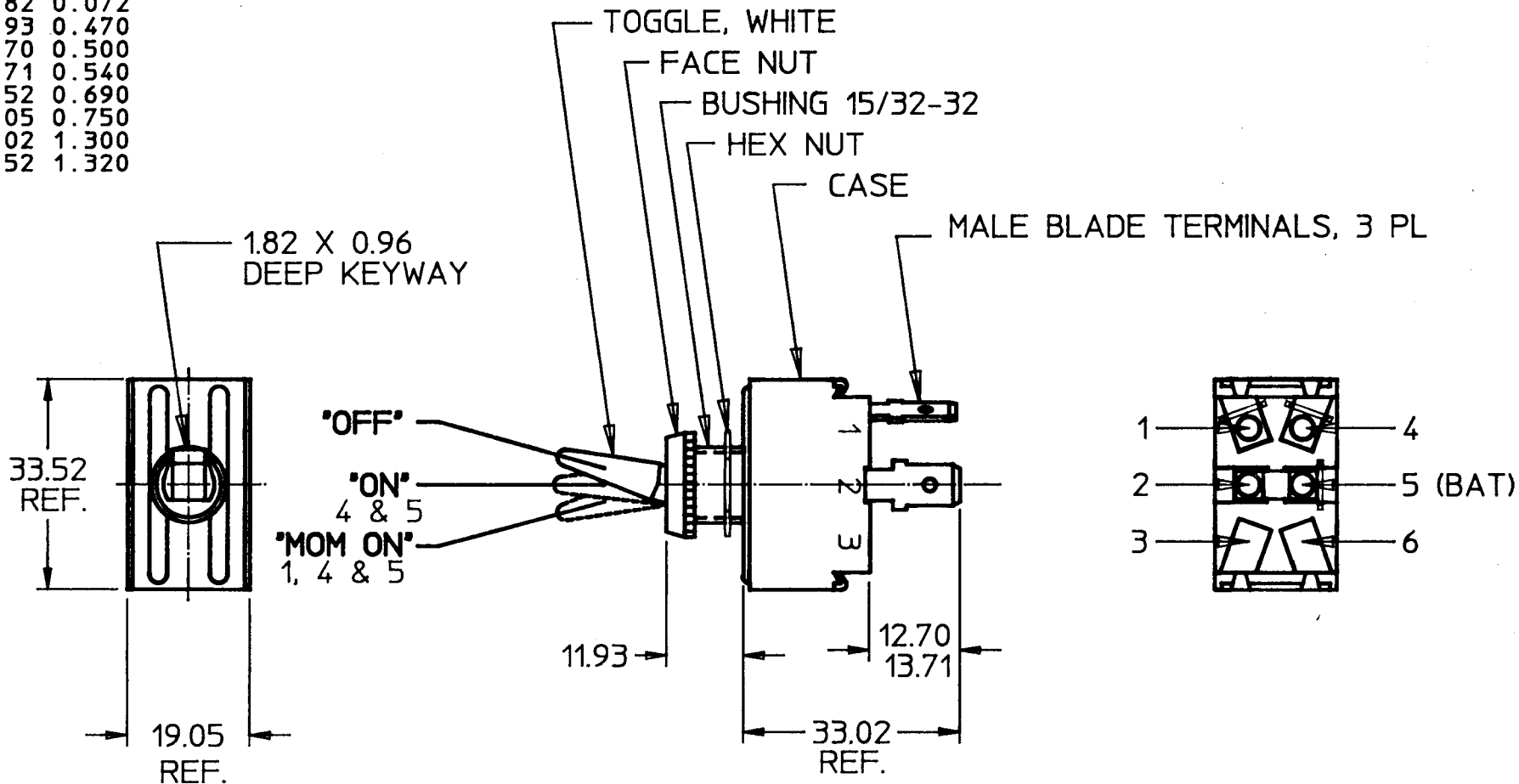
Drawn By: **G.Auguste**

Date Drawn: **06/22/48**

Responsible Engineer: **G.Auguste Pg. 1 of 1**

59071

MM	IN
0.96	0.038
1.82	0.072
11.93	0.470
12.70	0.500
13.71	0.540
17.52	0.690
19.05	0.750
33.02	1.300
33.52	1.320



NOTES:
1. 25 AMPS @ 12VDC

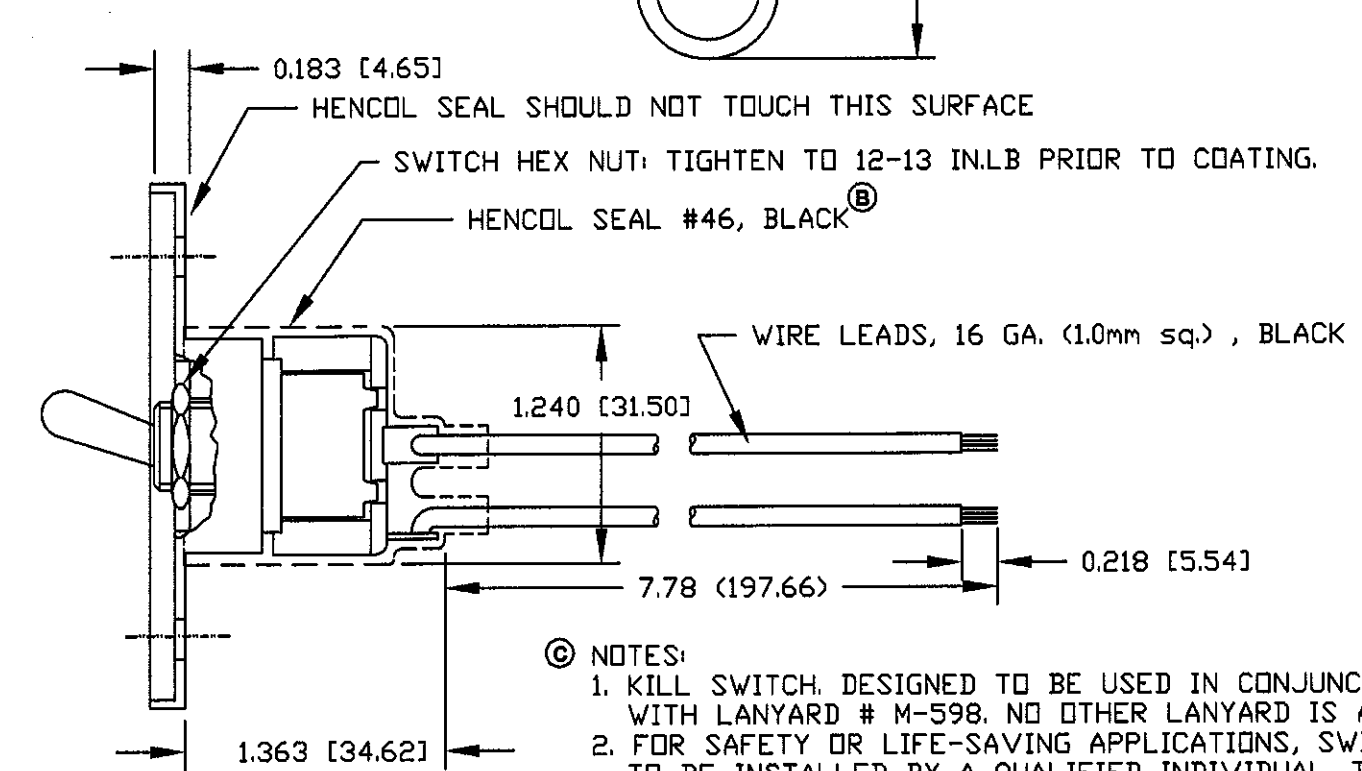
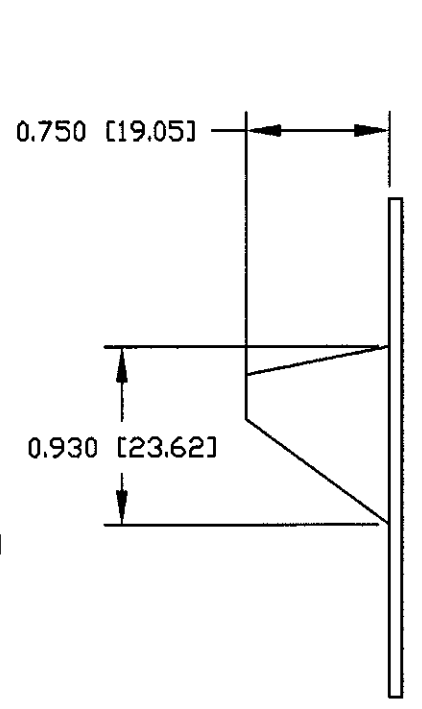
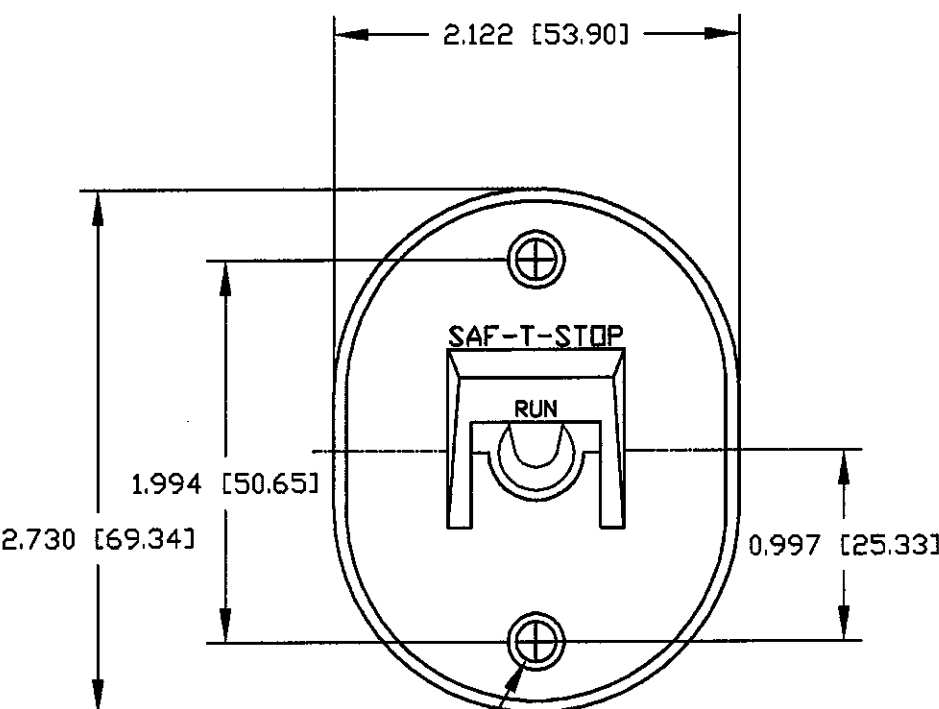
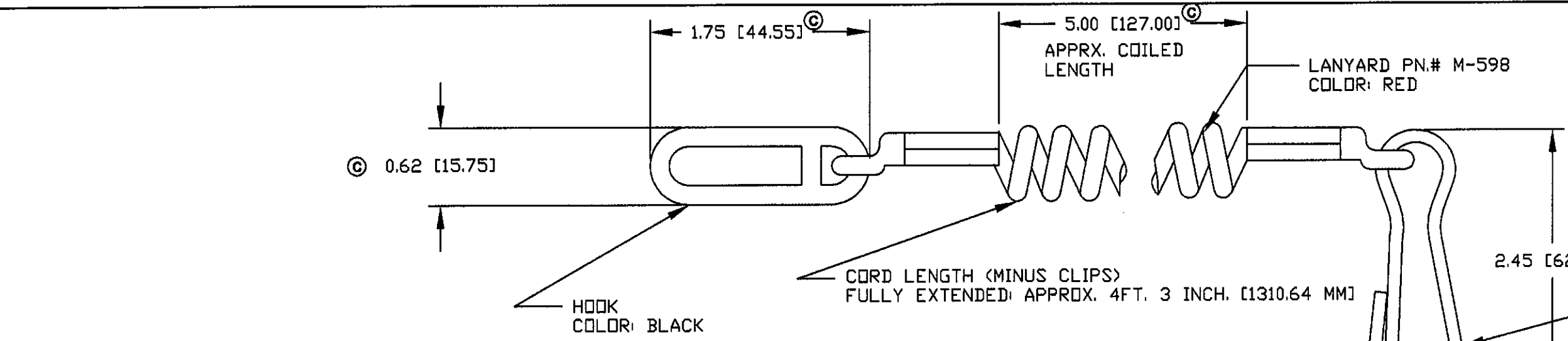
METRIC

DO NOT SCALE
CAD GENERATED

LET.	WAS	DATE	BY	LET.	WAS	DATE	BY	MATERIAL	DRAWN	CHK	APVD	SCALE		DATE DRAWN
									LIZ	<i>[Signature]</i>		1:1	EX23222	12/16/88
								FINISH	 COLE HERSEE CO. <small>70 OLD COLONY AVENUE, SOUTH BOSTON, MA. U.S.A. 02127</small>					DATE BLUEPRINTED
								TOLERANCES DECIMAL ± ANGLE ±						SWITCH TOGGLE S.P. 3 POS.
					ISSUED	12-19-88	AF							

Revision Control Record

Rev.	Description of Change	ECN No.	Date
A	RELEASED	01732	12/11/01
B	CALLOUT HENCOL	04112	03/18/04
C	DIM'S & NOTES	07140	05/08/07



- ③ NOTES:
1. KILL SWITCH, DESIGNED TO BE USED IN CONJUNCTION WITH LANYARD # M-598. NO OTHER LANYARD IS ALLOWED.
 2. FOR SAFETY OR LIFE-SAVING APPLICATIONS, SWITCH IS TO BE INSTALLED BY A QUALIFIED INDIVIDUAL. THE USER ASSUMES ALL RESPONSIBILITY FOR DETERMINING THE SUITABILITY OF THIS PRODUCT FOR THEIR APPLICATION.
 3. RATING: 10AMPS @12-24VDC, RESISTIVE LOAD. IT IS RECOMMENDED THAT THE SWITCH BE REPLACED AFTER 5,000 ENGINE CUT-OFF OPERATIONS OR WHENEVER THE SWITCH HAS BEEN SUBMERGED.
 4. OPERATING TEMP RATING: -20°C TO 70°C.
 5. ALL DIMENSIONS ARE REFERENCE ONLY, UNLESS NOTED OTHERWISE.

∅0.210 2 PL. [∅5.33]

Tolerances: Unless otherwise specifically noted, the following are default tolerances:
 * 2-place Decimal Dimensions ±.02"
 * 3-place Decimal Dimensions ±.005"
 * Angular Dimensions ±1.0 Deg.
 * Metric: Refer to equivalent English Dimension Tolerances
 >>> NOTE: All tolerances are Non-accumulative. <<<

Dimensional Units: All dimensions are expressed in inches except those shown in brackets (xxx) are expressed in millimeters

ASME Y14.5 or ASME Y14.43 - Non-Toleranced Reference Dimension: shown for clarification purposes only.

Used On or Ref: EX-27551

PROPRIETARY INFORMATION: This Engineering Drawing, and the information contained herein, is proprietary to Cole Hersee Company and may not be disclosed, reproduced, or in any other way transmitted or communicated to any other party without the express written consent of an authorized representative of Cole Hersee Company.

REVISION CONTROL: It is the responsibility of the individual using/referencing this drawing to assure that the noted design revision level agrees with the revision level of the Controlled Document (Master Drawing). This is a NON-CONTROLLED DOCUMENT unless otherwise specifically noted.

DO NOT SCALE - Dimensional variation may occur during printing/reproduction.

Scale: 1:1

Drawn By: GA

Date Drawn: 12/06/01

Key for Special Characteristics:

- ⊠ Critical Characteristic, relating to Safety and/or Regulatory Compliance
- X Significant Characteristic relating to Process Control (SPC)
- ⓐ Control Dimension relating to Form - Fit - Function as defined by Cole Hersee Company and/or the Customer

(Note that the identification of any Characteristics as being "Special" does not alter the requirement that ALL specified dimensions & tolerances must be met.)

Responsible Engineer: G. AUGUSTE

Pg. 1 of 1

Cole Hersee Co.
 20 Old Colony Ave., South Boston, MA, 02127
 Phn: 617-268-2100 Web: www.colehersee.com

SW. GUARD ASSY.

M-597

Current Rev. **C**