

MINIFLEC SERIES POWER DISTRIBUTION MODULE

Connectorized Power Distribution Module



Description

The standard MiniFlec is a compact, front access, internally bussed, connectorized, sealed power distribution module, suitable for mounting in rugged commercial vehicle applications. The MiniFlec is a product that has dense concentration of high power circuits and accepts plug devices like automotive fuses, diodes and relays to protect and control complex electrical systems. An internally mounted Printed Circuit Board (PCB) allows bussed connections to a large number of devices.

The custom MiniFlec can be built specific to your design requirements and is a special order product. Please talk to your local representative for additional details

Standard MiniFlec Features and Benefits

- Uses 3 Form C 280 Series Relays, 3 Form A 280 Ultra Micro Series Relays, and One ISO Mini Relay
- All relays share common ground circuit
- Can hold 11 MINI fuses and 2 higher amperage MCASE+ fuses
- Designed for panel mounting (rear fed connectors). Base compression limiters prevent over-torquing when unit is mounted
- Tethered cover securely latches to base, with positive AssureLatch yellow latches

Applications

- Main electric system distribution and protection
- Secondary box to add in additional capacity
- Sealed rugged enclosure protects internal circuitry from harsh environments such as high shock, vibration, moisture and contaminants
- Sealed to IP67/69K
- Included tether connects cover to base preventing misplacement
- Standard MiniFlec includes 6 spare fuse locations (4 MINI Fuses / 2 MCASE Fuses)

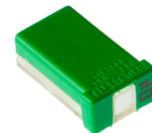
Specifications Overview

Max Load:	150A
Fuse Rating Ranges:	MINI® Fuse: 2-30A MCASE+® Fuse: 15-60A
Color:	Black
Housing:	Glass Reinforced Nylon (94V-0)
Ingress Protection:	IEC 529 IP67/69K
Input Stud:	M8
Mating Terminals & Seals	Tyco HDSCS Series Connectors with MCP Terminals Tyco 1-1564542-1 Tyco 1-1418437-1 Tyco 2-1564514-1 Tyco 1-1670894-1
Working Voltages:	9-16V with 12V Relays 18-32V with 24V Relays
Input Stud Torque:	12-15Nm
Mounting Bolt Torque:	12-15Nm
Vibration Resistance:	ISO 16750-4
Operating Temp:	-40°C to +85°C
Dimensions (LxWxH):	157mm x 96mm x 126mm
Accessories:	Fuse Puller, Spare Fuses Tether
Relay Capacity:	3 Form C 280 Series Micro Relays, 3 Form A Ultra Micro Relays, 1 ISO Micro Relay

Recommended Fuses



MINI Style Fuses



MCASE+ Style Fuses

Recommended Relays



Form C 280 Series Micro Relays
Form A Ultra Micro Relays



ISO Mini Relays

Ordering Information

PART NUMBER	DESCRIPTION
LFMX0007Z-01	Standard Unloaded MiniFlec Power Distribution Module

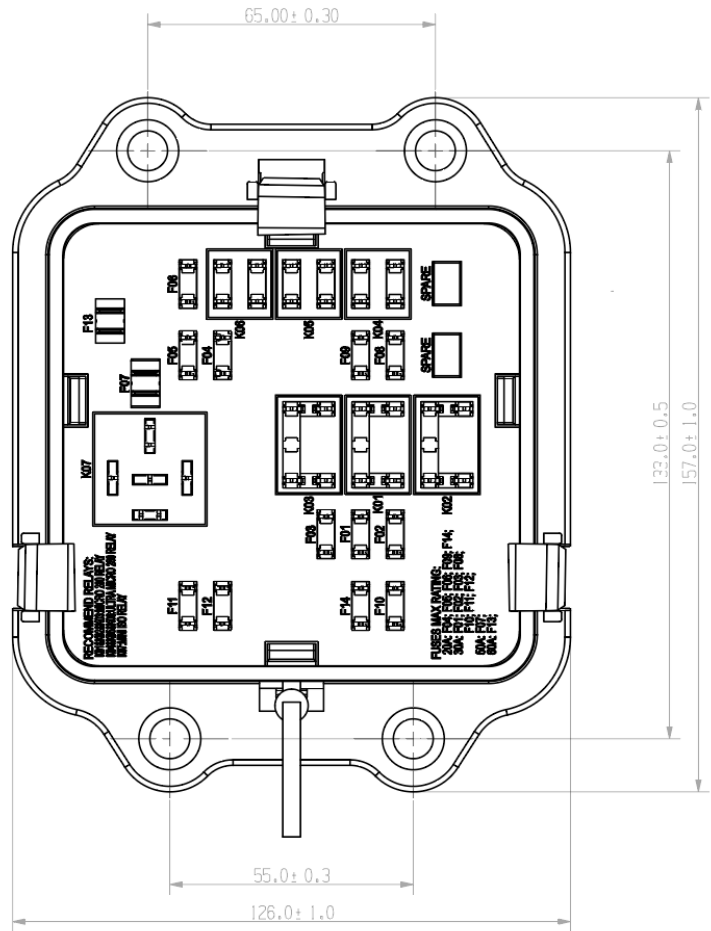
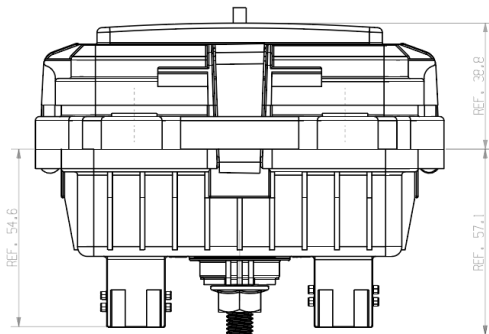
Web Resources

Download Datasheet, 2D outline, 3D Model and additional technical resources at: littelfuse.com/miniflec

MINIFLEC SERIES POWER DISTRIBUTION MODULE

Connectorized Power Distribution Module Mounting Diagram

FUSE LOCATION	MAX FUSE VALUE
F1	30A
F2	30A
F3	30A
F4	20A
F5	20A
F6	20A
F7	50A
F8	30A
F9	20A
F10	30A
F11	30A
F12	30A
F13	60A



Related Products

ZCASE® • 40-600A • Bolt-Down Fuses

The ZCASE is a bolt down fuse with a wide rating range up to 600A. The Time Current characteristic is similar to the well known MEGA® design and can be used as full wire protection until 250A. Higher ratings typically used for starter fuse.

Learn more at: littelfuse.com/ZCASE



SMZ Series Stud Mount ZCASE® Fuse Holder

The SMZ stud mount fuse holder allows you to mount fusing directly to a M8 or M10 on applications such as batteries, alternators, battery switches or electrical relays. The SMZ stud mount fuse holder is ideal for stacking to create a 2 pole version.

Learn more at: littelfuse.com/SMZ



Visit Littelfuse.com for the most up-to-date product information. Littelfuse reserves the right to make product changes, without notice. Material in this document is as accurate as known at the time of publication.