

08081000 & 08081100 BATTERY DISCONNECT SWITCHES

150A • SPST • IP56 • M8 Studs • Power current isolating switches



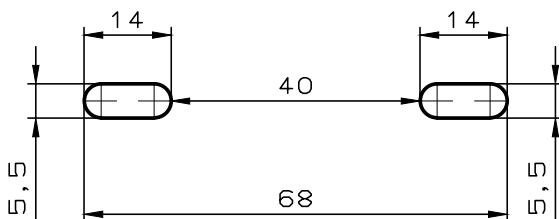
Description

A power current isolating switch is an electromagnetic device with an effective switching capability up to 600A. The power current isolating switches are available at the rated voltages of: 12V and 24V. The use of power current isolating switches is recommended for heavy duty application. Compared to a traditional automotive relay, a power current isolating switch has superior performance and reliability. Interchangeable with bosch 0333009004 (08081000) and 0333009002 (08081100)

Features/Benefits

- 150A continuous current rating
- High resistance against humidity (up to 98%) and dust
- Pick-up and release voltage speed
- The versions are designed to half consumption when the contacts are closed

Mounting Diagram



Specifications

Max Operating Voltage:	12V DC 24V DC
Max Continuous Current:	150A
Intermittent Current:	600A at 5 sec - 12 V
Operating Temp:	-25 °C to +140 °C
Ingress Protection:	IP56
Contacts:	Copper
Terminals:	M8

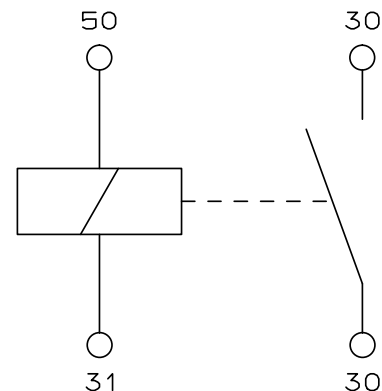
Applications

- Forklift
- Trucks
- Construction
- Industrial vehicles
- Commercial and vehicles
- Marine
- Trains
- Military vehicles

Web Resources

Download 2D print and technical resources at:
littelfuse.com/ManualBatterySwitches

Electrical Diagram

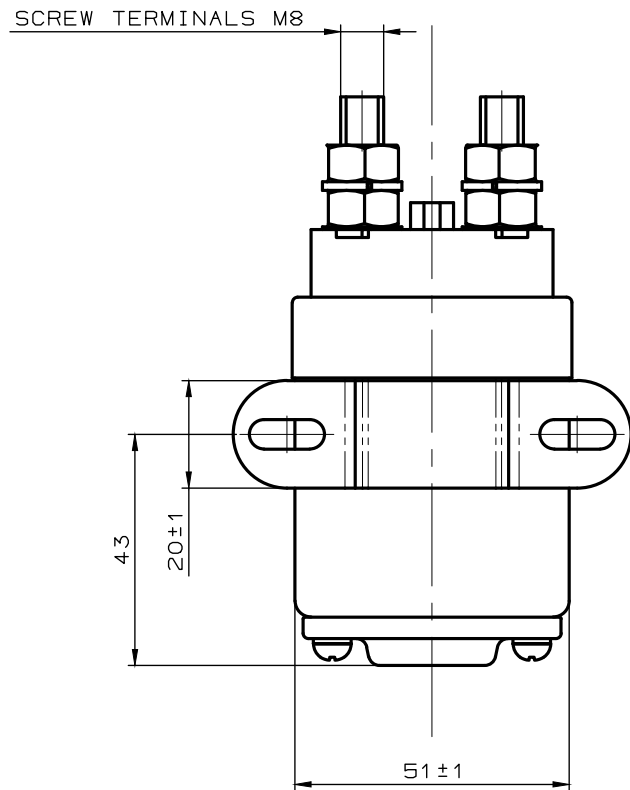
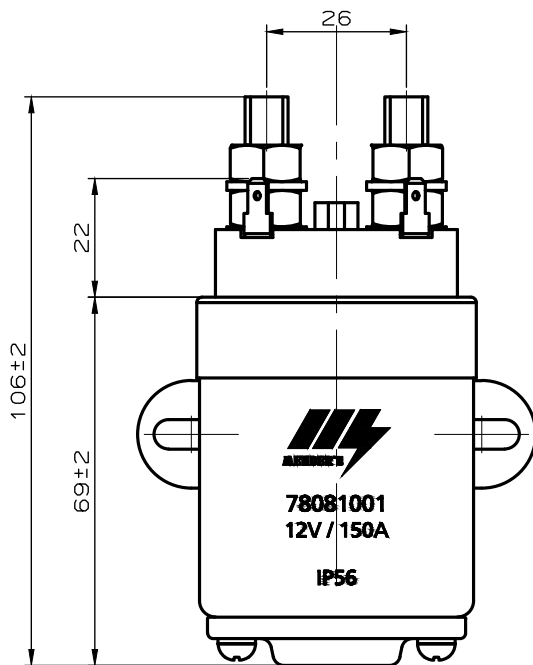
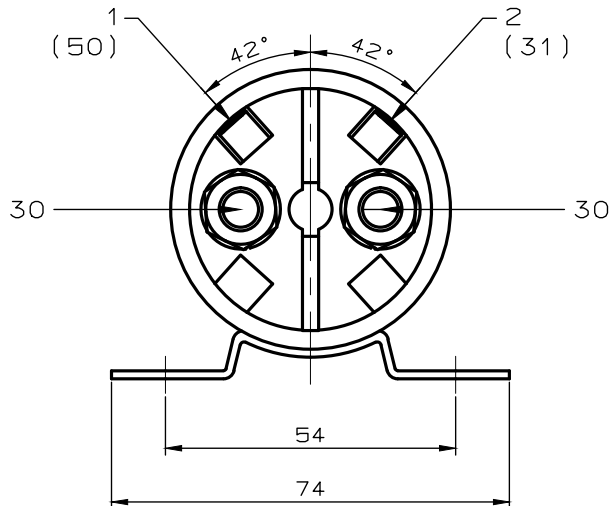


Ordering Information

PART NUMBER	VOLTAGE	AMPERAGE	CIRCUITRY	MOUNTING	INGRESS	TERMINAL NUTS	NOTES
08081000	12V DC	150A	SPST	Bolt-Down	IP56	M8	fixing with the pins upwards
08081100	24V DC	150A	SPST	Bolt-Down	IP56	M8	fixing with the pins upwards

08081000 & 08081100 BATTERY DISCONNECT SWITCHES

Dimensions in millimeters



Visit Littelfuse.com for the most up-to-date product information. Littelfuse reserves the right to make product changes, without notice. Material in this document is as accurate as known at the time of publication.