

08098500 & 08099400 BATTERY DISCONNECT SWITCHES

350A • SPST • IP65 • M12 Studs

08098500



08098600



08099400



Description

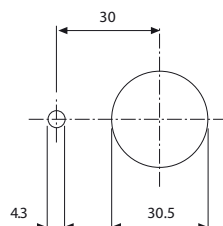
350A Manual battery master switch with removable or fixed handle.

08098500 is interchangeable with IVECO 4758238
08098600 is interchangeable with IVECO 60156566
08099400 (change-over contact) is interchangeable with IVECO 4764283.

Features/Benefits

- 350A continuous current rating
- Designed for heavy duty application on earth moving vehicles
- Robust body in thermoplastic material
- Waterproof to IP65

Mounting Diagram



Specifications

Max Operating Voltage:	24V DC
Max Continuous Current:	250A & 350A
Intermittent Current:	2500A at 3 sec
Operating Temp:	-40 °C to +85 °C
Ingress Protection:	IP65
Contacts:	Silver-plated Copper
Terminals:	M10 (brass nuts) change-over contact M12 (inox nuts)

Applications

- Heavy Truck
- Off-Road
- Emergency Vehicles
- Mining
- Agricultural
- Material Handling

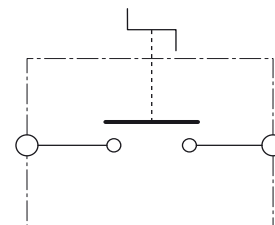
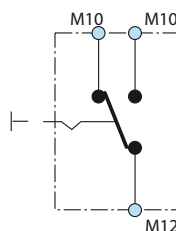
Web Resources

Download 2D print and technical resources at:
littelfuse.com/ManualBatterySwitches

Electrical Diagram

With supplementary contacts (08099400)

Standard contacts

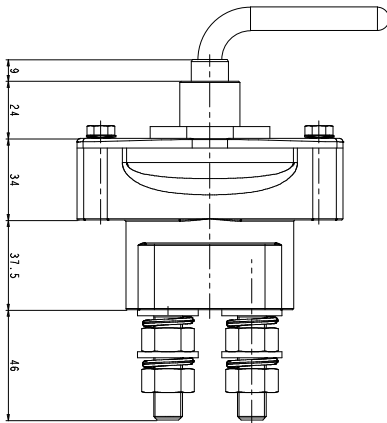


Ordering Information

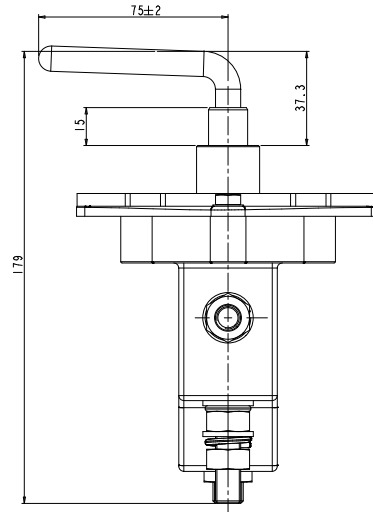
PART NUMBER	VOLTAGE	AMPERAGE	CIRCUITRY	MOUNTING	INGRESS	TERMINAL NUTS	NOTES
08098500	12-24V DC	350A	SPST	Through-Hole	IP65	M12 Brass	Fixed handle
08098600	12-24V DC	350A	SPST	Through-Hole	IP65	M12 Brass	Removable key
08099400	12-24V DC	350A	SPST	Through-Hole	IP65	M10 Brass M12 Brass	Fixed handle (change-over contact)

08098500 & 08099400 BATTERY DISCONNECT SWITCHES

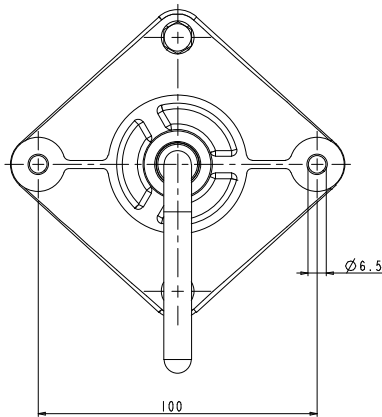
Dimensions in millimeters



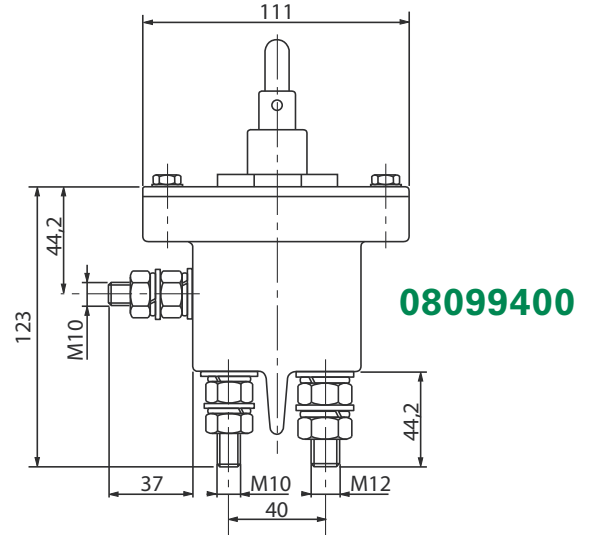
08098500
08098600 (remov. handle)



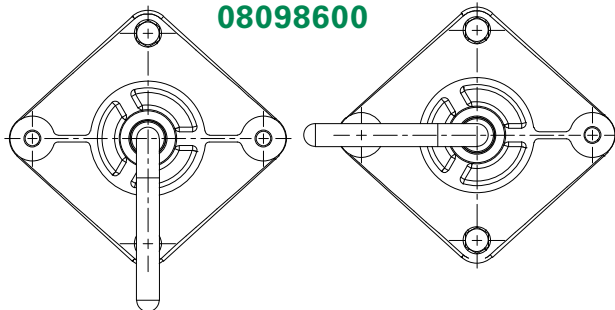
08099400



08098500
08098600

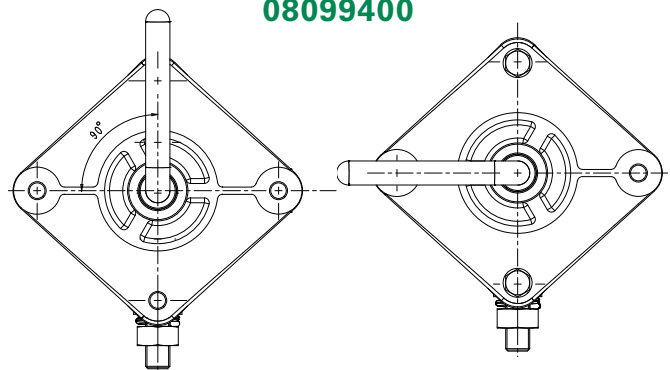


08099400



ON position

OFF position



ON position

OFF position



Visit Littelfuse.com for the most up-to-date product information. Littelfuse reserves the right to make product changes, without notice. Material in this document is as accurate as known at the time of publication.