

M10x30 DIN 933
M10 DIN 934

SPECIFICATIONS:

MATERIAL:
 FUSE CLIP: SILVER PLATED COPPER
 SPRING: ZINC PLATED STEEL
 MOUNTING PLATE: ZINC PLATED STEEL
 INSULATOR: CERAMIC
RECOMMENDED TORQUE:
 MOUNTING PLATE: 15N-m
 TERMINAL: 32N-m
 RATED CURRENT: 200A
 VOLTAGE: 1500V

REVISION		
REV	DATE	DESCRIPTION
A	10/18/16	516546GCP - RELEASE MRY
B	6/6/17	517431ECP/D - REMOVE DATA SHEET REVISION MRY

●	DENOTES CRITICAL CHARACTERISTICS.
CPK	DENOTES CPK DIMENSIONS, -MINIMUM CPK VALUE
⊕	DENOTES A CHARACTERISTIC THAT PROVIDES AN INDICATION OF PROCESS PERFORMANCE. PROCEDURE FOR MEASUREMENT AND TRACKING TO BE DEFINED IN LITTELFUSE INSPECTION INSTRUCTIONS.
CP	DENOTES CP DIMENSIONS, -MINIMUM CP VALUE MUST BE WITHIN THE DIMENSIONAL LIMITATIONS SHOWN ON DRAWING AND INITIALLY LOCATED TO ALLOW FOR MAXIMUM TOOL LIFE.

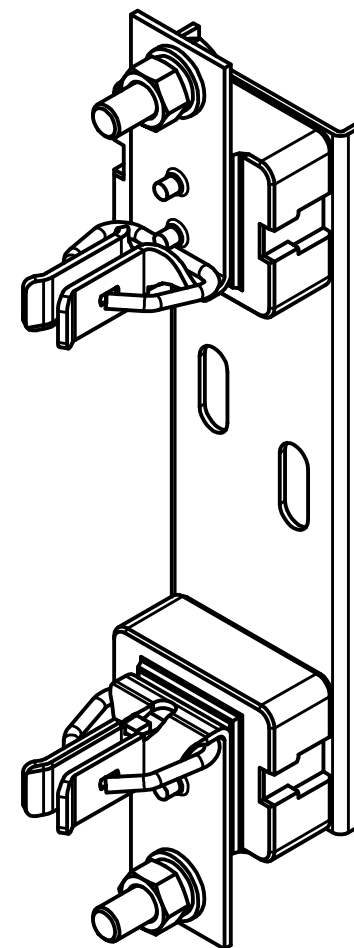
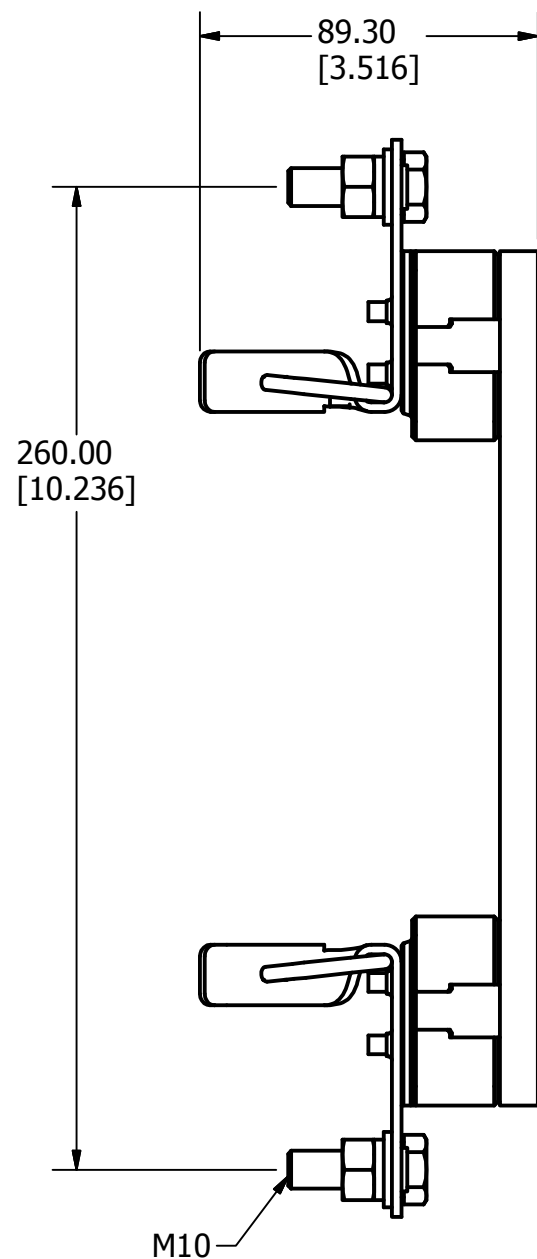
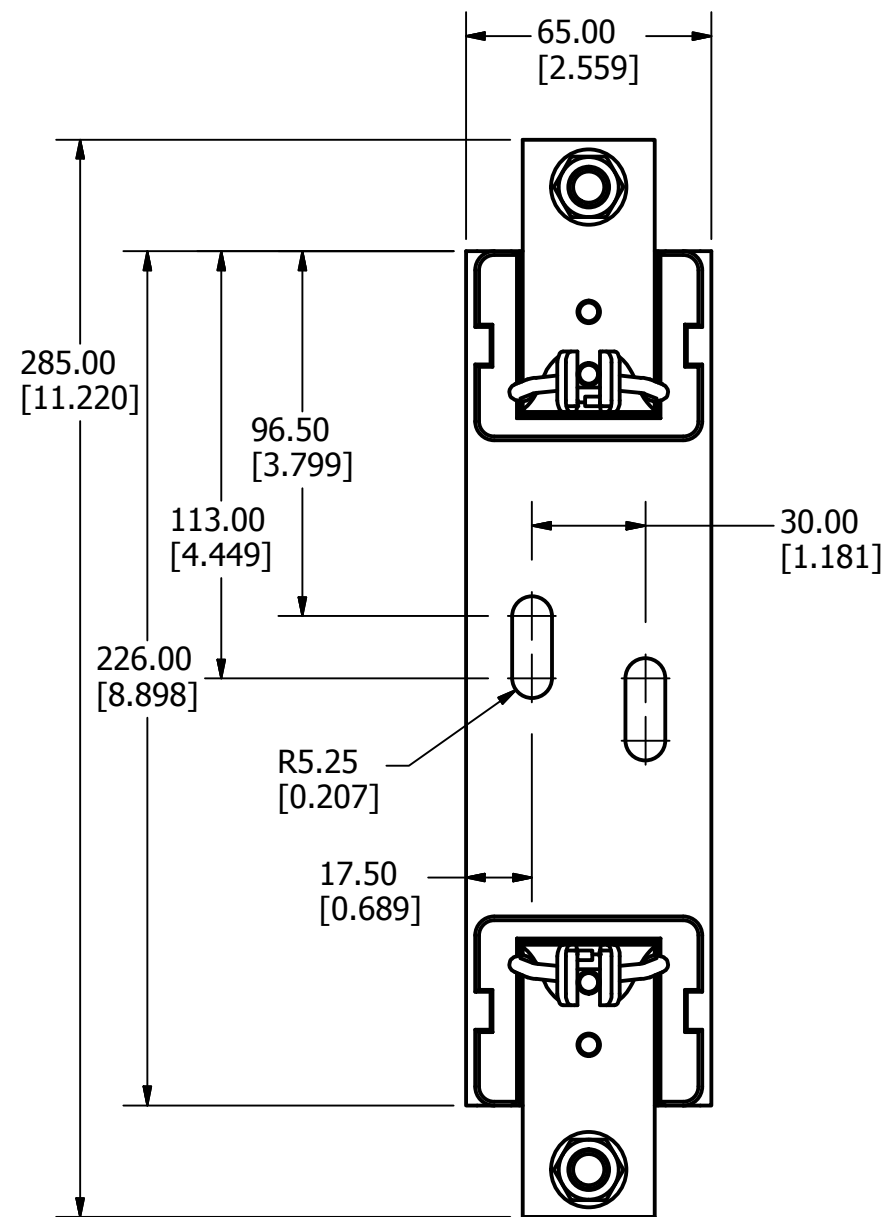
MATL SPEC		FINISH	
DRW MYORK	DATE 10/17/2016	SCALE NTS	FINISH GOOD WT GRAMS/PIECE

UNLESS OTHERWISE SPECIFIED, DIMENSIONS ARE IN MILLIMETERS, DIMENSIONS IN BRACKETS [] ARE INCHES DIMENSIONING AND DO NOT INCLUDE PLATING. TOLERANCING TO BE INTERPRETED IN ACCORDANCE WITH ANSI Y14.5M-1994



TITLE 1500V 200A FUSEBLOCK OUTLINE

 CHICAGO, ILLINOIS 60631	REVISION	DRWG NO.	SHEET 1 OF 1
	B	OL-LFNH152001CST	



REVISION		
REV	DATE	DESCRIPTION
A	4/12/18	519058GCP - RELEASE MRY

SPECIFICATIONS:

MATERIAL:

FUSE CLIP: SILVER PLATED COPPER
 SPRING: ZINC PLATED STEEL
 MOUNTING PLATE: ZINC PLATED STEEL
 INSULATOR: CERAMIC
 RECOMMENDED TORQUE:
 MOUNTING PLATE: 15N-m
 TERMINAL: 32N-m
 RATED CURRENT: 400A
 VOLTAGE: 1500V

●	DENOTES CRITICAL CHARACTERISTICS.
CPK	DENOTES CPK DIMENSIONS, -MINIMUM CPK VALUE
⊖	DENOTES A CHARACTERISTIC THAT PROVIDES AN INDICATION OF PROCESS PERFORMANCE. PROCEDURE FOR MEASUREMENT AND TRACKING TO BE DEFINED IN LITTELFUSE INSPECTION INSTRUCTIONS.
CP	DENOTES CP DIMENSIONS, -MINIMUM CP VALUE MUST BE WITHIN THE DIMENSIONAL LIMITATIONS SHOWN ON DRAWING AND INITIALLY LOCATED TO ALLOW FOR MAXIMUM TOOL LIFE.

B

MATL SPEC		FINISH	
DRW MYORK	DATE 9/18/2017	SCALE NTS	FINISH GOOD WT GRAMS/PIECE

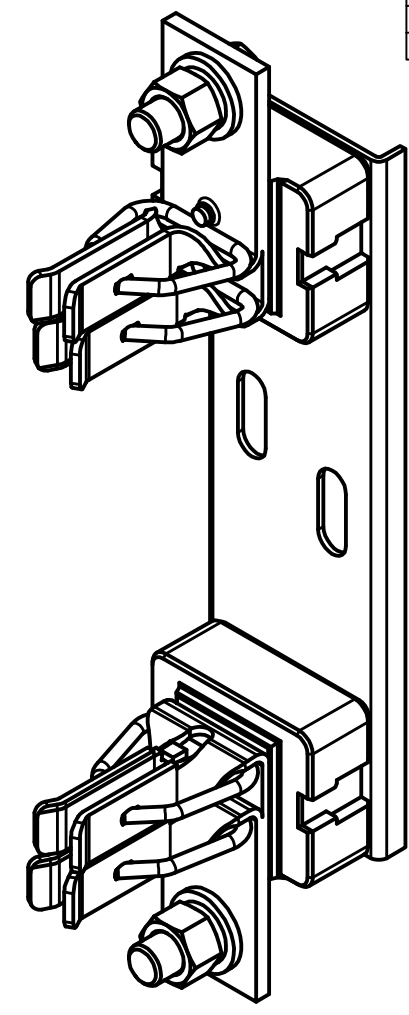
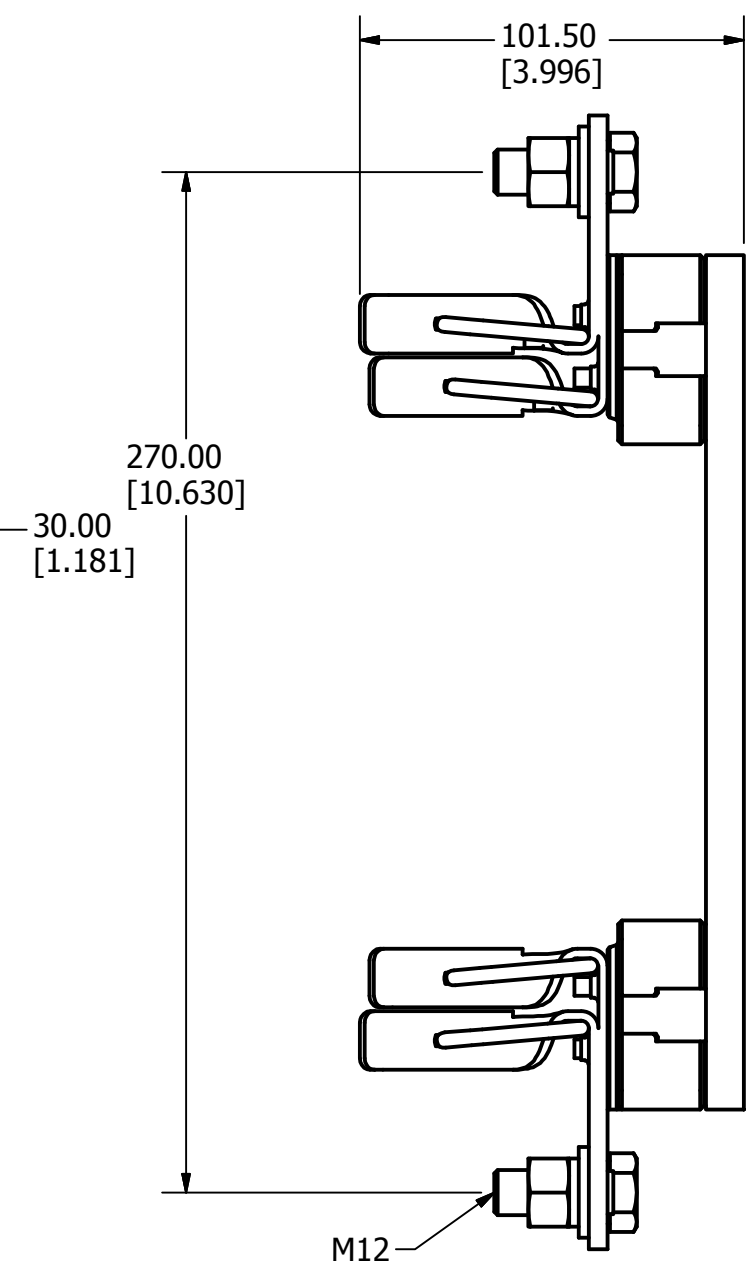
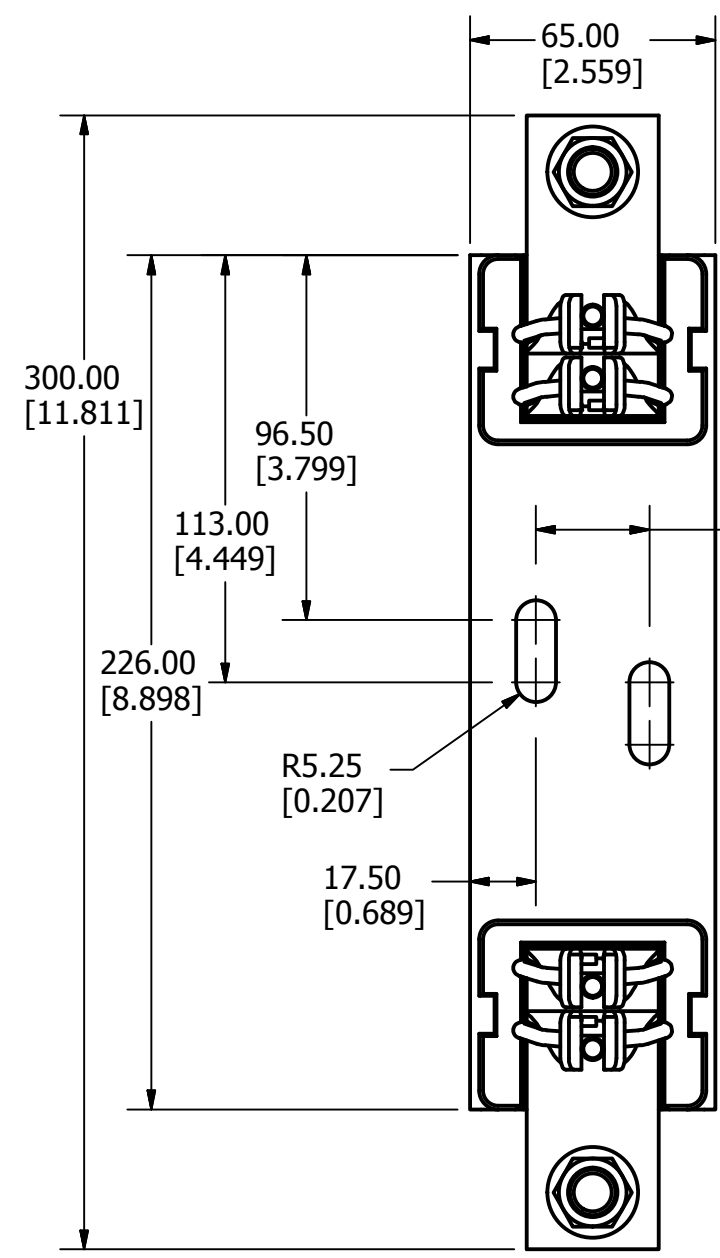
UNLESS OTHERWISE SPECIFIED, DIMENSIONS ARE IN MILLIMETERS, DIMENSIONS IN BRACKETS [] ARE INCHES DIMENSIONING AND DO NOT INCLUDE PLATING. TOLERANCING TO BE INTERPRETED IN ACCORDANCE WITH ANSI Y14.5M-1994



TITLE	1500V 400A FUSEBLOCK OUTLINE
--------------	------------------------------

Littelfuse CHICAGO, ILLINOIS 60631	REVISION A	DRWG NO. OL-LFNH154001CST	SHEET 1 OF 1
--	---------------	------------------------------	--------------

REVISION		
REV	DATE	DESCRIPTION
A	4/12/18	519058GCP - RELEASE MRY



SPECIFICATIONS:

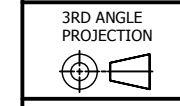
MATERIAL:
 FUSE CLIP: SILVER PLATED COPPER
 SPRING: ZINC PLATED STEEL
 MOUNTING PLATE: ZINC PLATED STEEL
 INSULATOR: CERAMIC
RECOMMENDED TORQUE:
 MOUNTING PLATE: 15N-m
 TERMINAL: 32N-m
 RATED CURRENT: 630A
 VOLTAGE: 1500V

●	DENOTES CRITICAL CHARACTERISTICS.
CPK	DENOTES CPK DIMENSIONS, -MINIMUM CPK VALUE
⊕	DENOTES A CHARACTERISTIC THAT PROVIDES AN INDICATION OF PROCESS PERFORMANCE. PROCEDURE FOR MEASUREMENT AND TRACKING TO BE DEFINED IN LITTELFUSE INSPECTION INSTRUCTIONS.
CP	DENOTES CP DIMENSIONS, -MINIMUM CP VALUE MUST BE WITHIN THE DIMENSIONAL LIMITATIONS SHOWN ON DRAWING AND INITIALLY LOCATED TO ALLOW FOR MAXIMUM TOOL LIFE.

B

MATL SPEC		FINISH	
DRW MYORK	DATE 9/18/2017	SCALE NTS	FINISH GOOD WT GRAMS/PIECE

UNLESS OTHERWISE SPECIFIED, DIMENSIONS ARE IN MILLIMETERS, DIMENSIONS IN BRACKETS [] ARE INCHES DIMENSIONING AND DO NOT INCLUDE PLATING. TOLERANCING TO BE INTERPRETED IN ACCORDANCE WITH ANSI Y14.5M-1994



TITLE 1500V 630A FUSEBLOCK OUTLINE

 CHICAGO, ILLINOIS 60631	REVISION	DRWG NO.	SHEET 1 OF 1
	A	OL-LFNH156301CST	